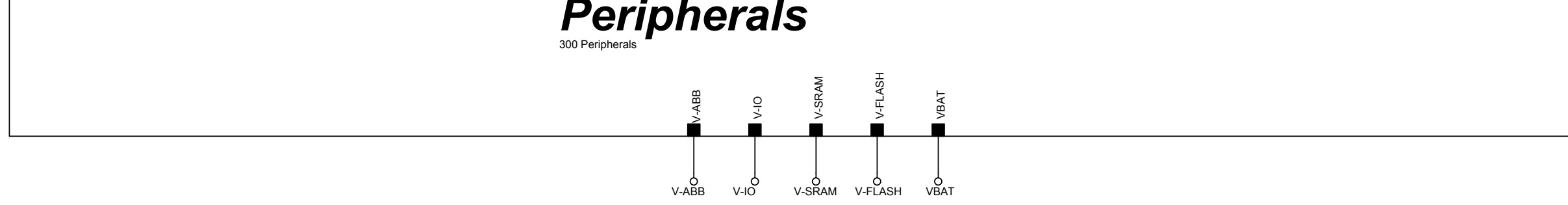
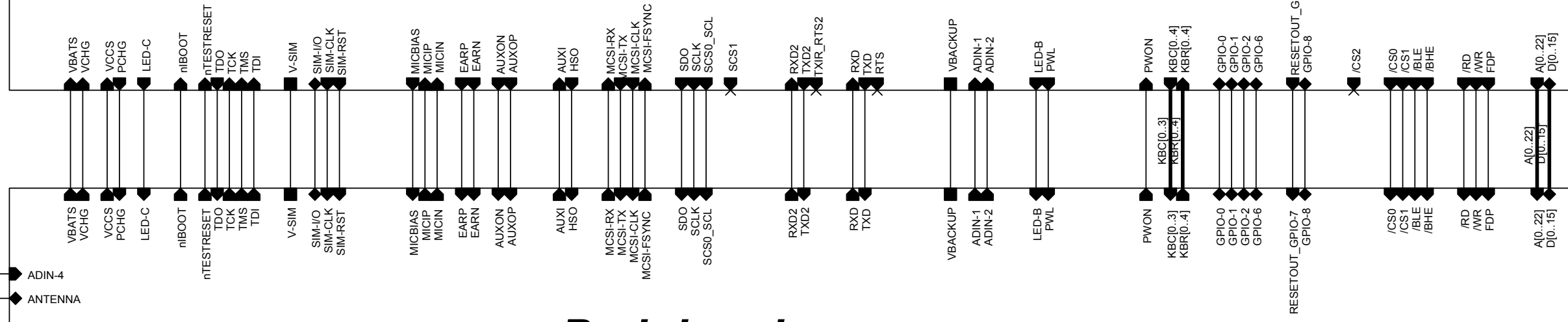


# Leonardo Base Band

200 Baseband Chip-Set



<p>PRELIMINARY documents contain information on a product under development and is issued for evaluation purposes only. Features characteristic data and other information are subject to change.</p>			<b>Texas Instruments A/S, Denmark</b> Sofiendalsvej 93 DK-9200 Aalborg SV Denmark	
	<i>Under Non Disclosure Agreement</i>		<i>Do Not Copy</i>	
	Title : Leonardo rev 5.0 Top schematic		<i>TI - Proprietary Information -</i>	
	Size A3 -	Document Number -	Modified by: CKS	Rev 5.0
	Date: Monday, October 27, 2003		Sheet 1 of 5	

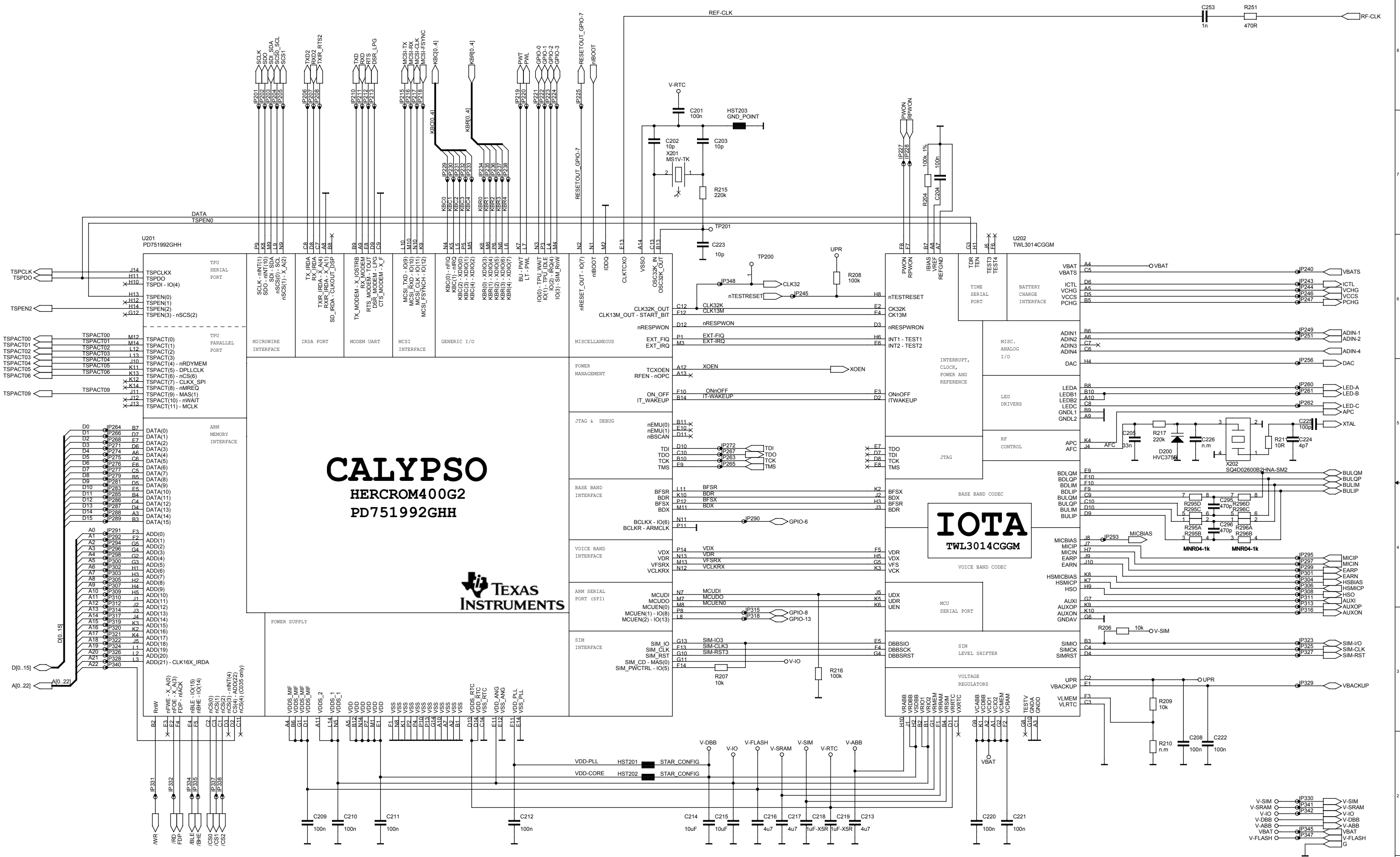
# CALYPSO

## HERCROM400G2

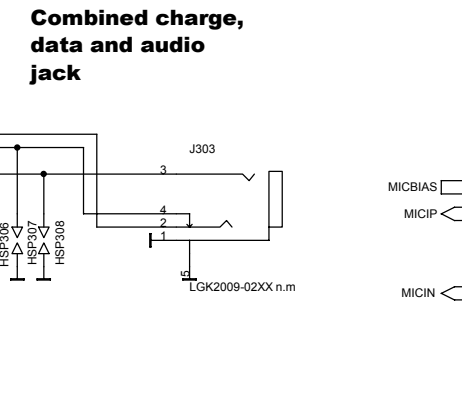
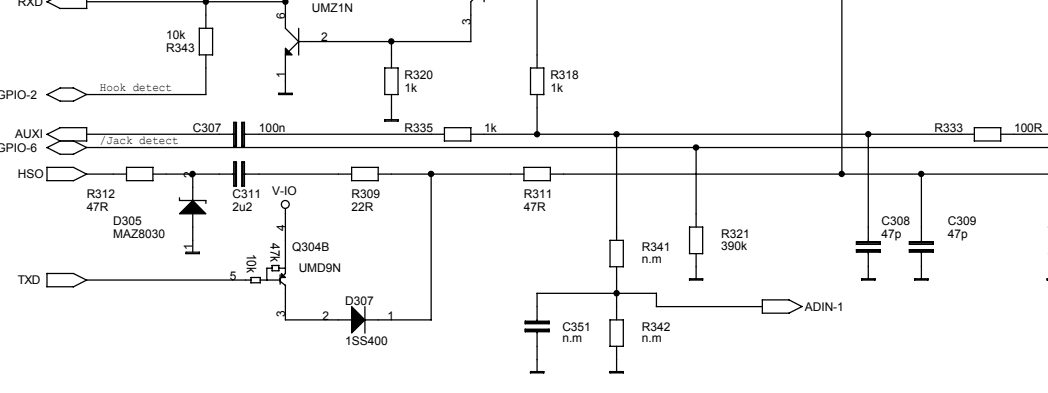
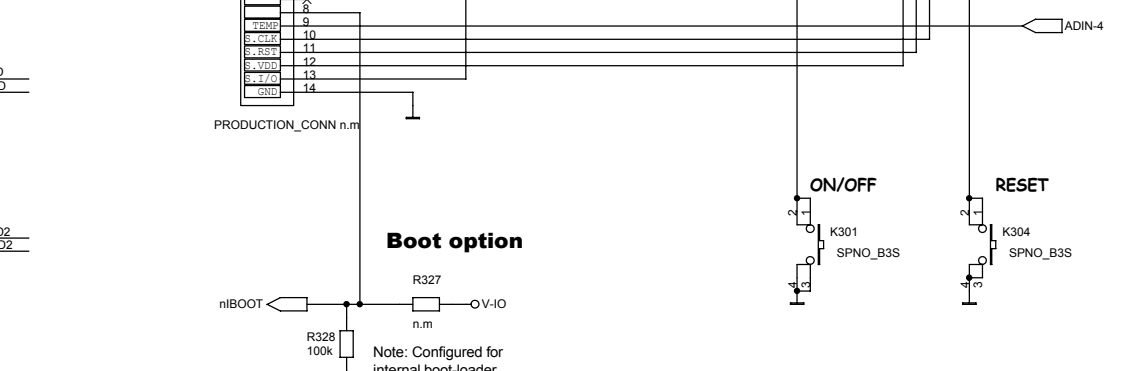
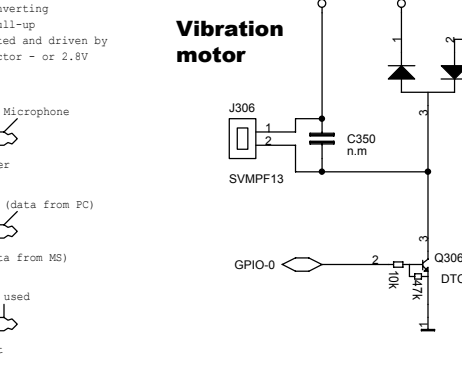
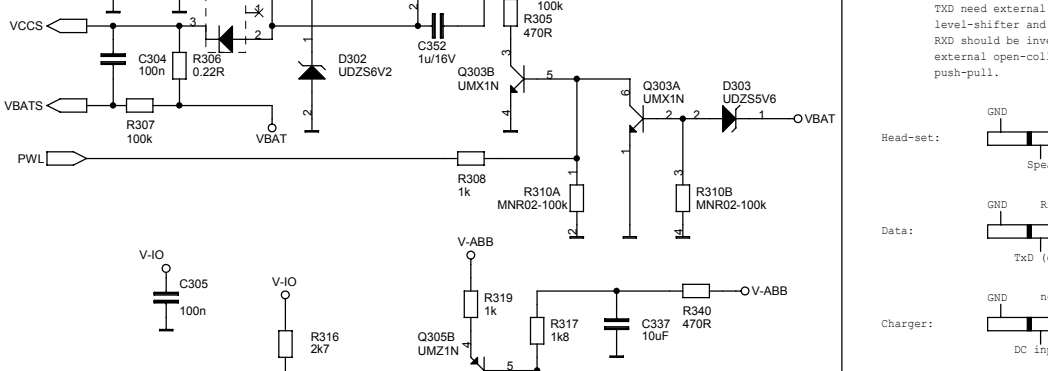
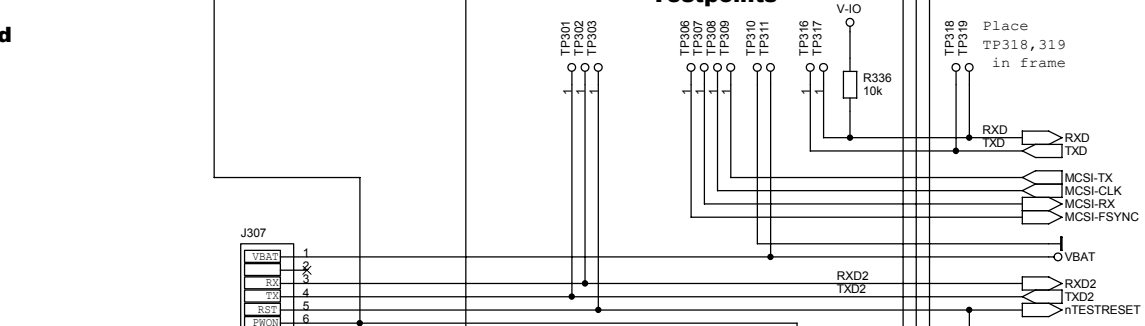
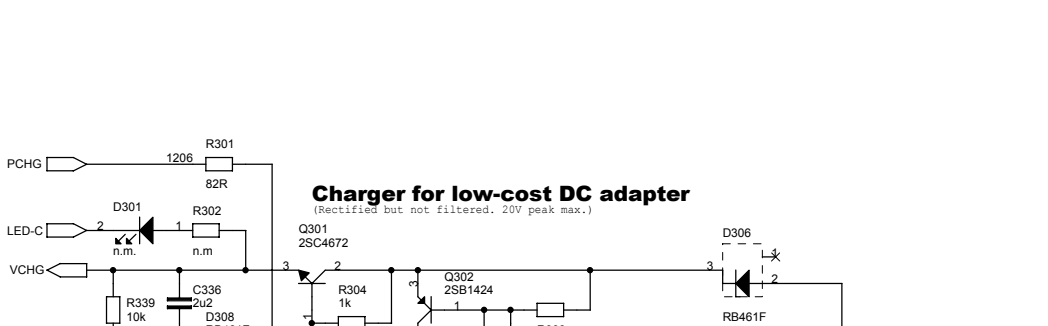
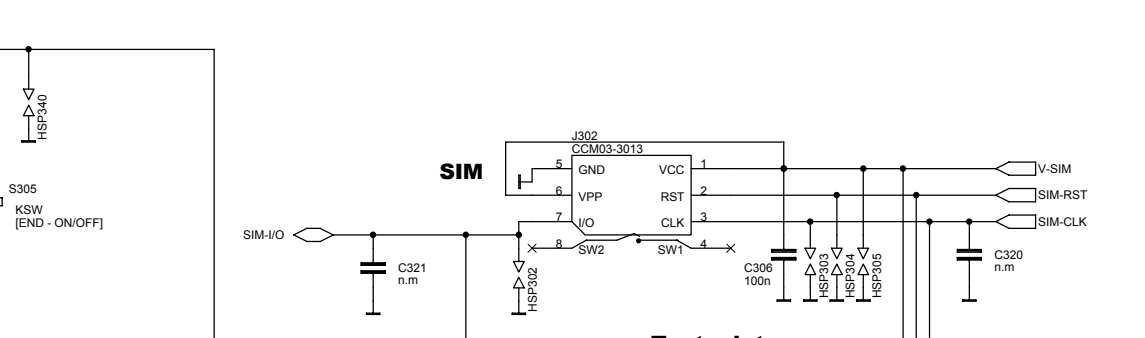
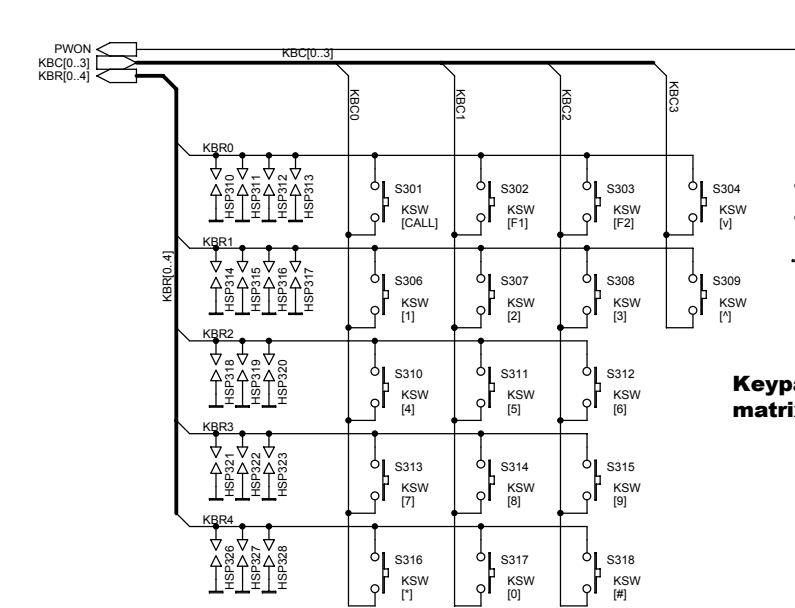
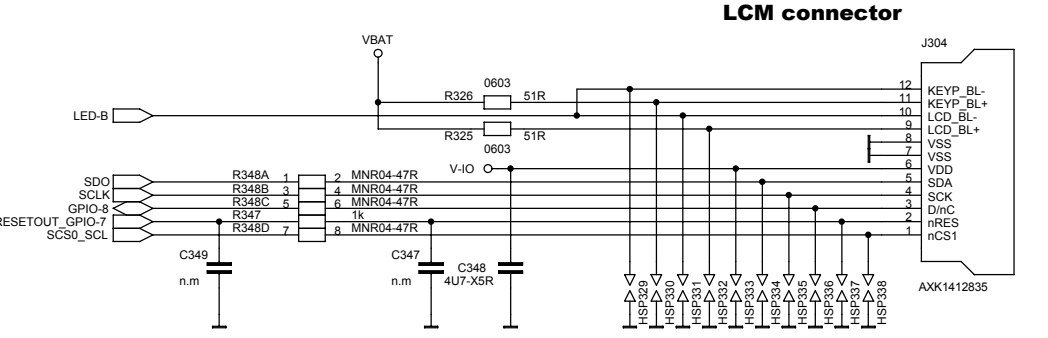
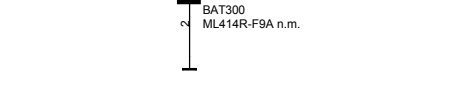
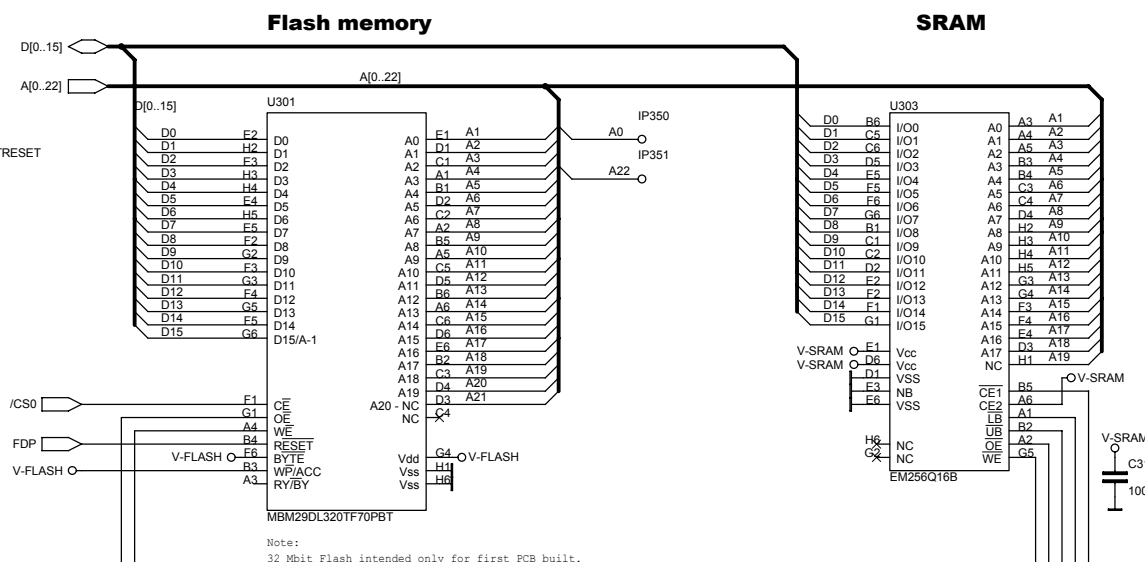
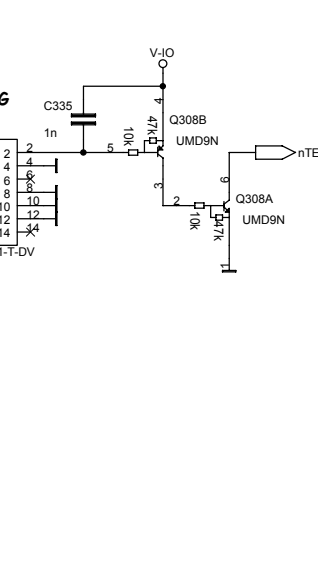
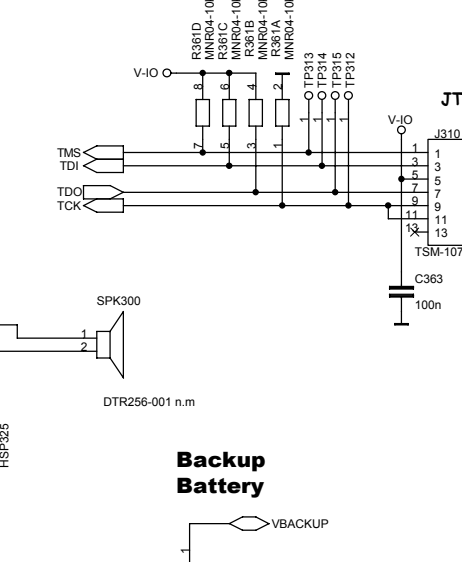
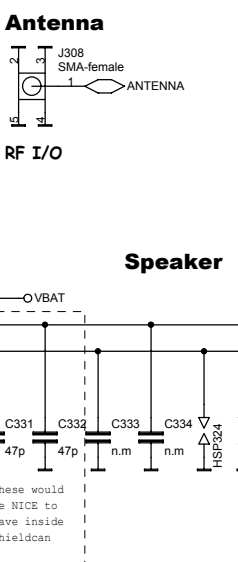
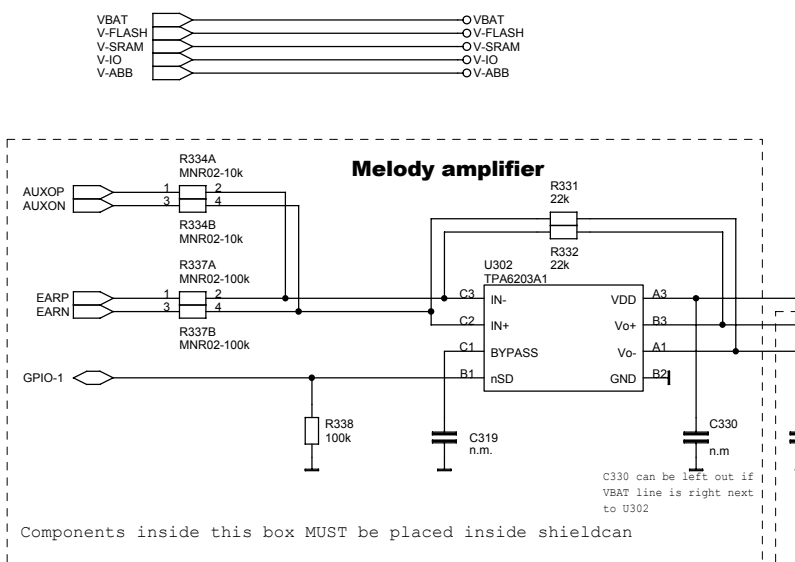
### PD751992GHH



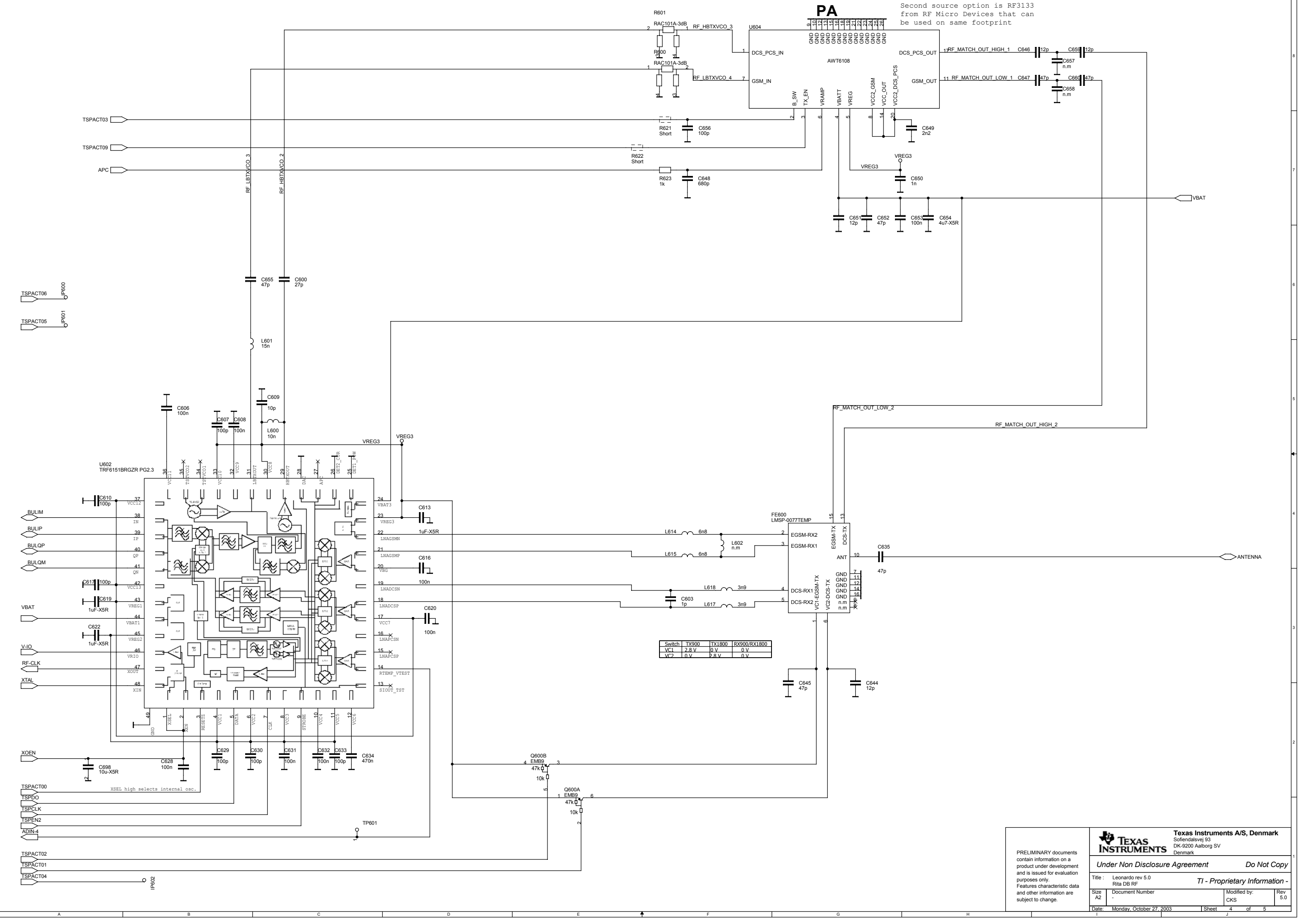
Note:  
Hercrom400G2 intended only for first PCB built.  
To be replaced with Hercrom200G2.  
PCB Footprint identical.



		<b>Texas Instruments A/S, Denmark</b> Sofiendalsvej 93 DK-9200 Aalborg SV Denmark	
PRELIMINARY documents contain information on a product under development and is issued for evaluation purposes only. Features characteristic data and other information are subject to change.		<b>Under Non Disclosure Agreement Do Not Copy</b>	
Title : Leonardo rev 5.0 Baseband		<b>TI - Proprietary Information -</b>	
Size : A2	Document Number :	Modified by :	Rev : 5.0
Date : Monday, October 27, 2003		Sheet : 2 of 5	



### Battery connector (continued)



Second source option is RF3133 from RF Micro Devices that can be used on same footprint

Switch	TX900	TX1800	RX900/RX1800
VC1	2.8 V	0 V	0 V
VC2	0 V	2.8 V	0 V

PRELIMINARY documents contain information on a product under development and is issued for evaluation purposes only. Features characteristic data and other information are subject to change.

**TEXAS INSTRUMENTS**

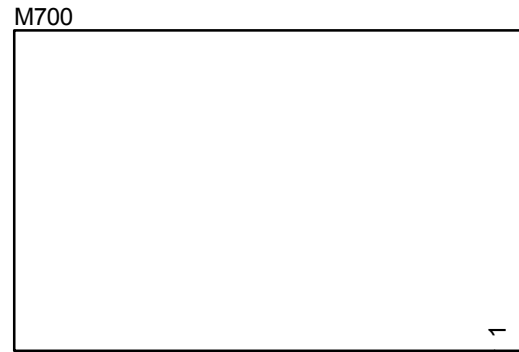
Texas Instruments A/S, Denmark  
Sølandsøvej 53  
DK-9200 Aalborg SV  
Denmark

Under Non Disclosure Agreement Do Not Copy

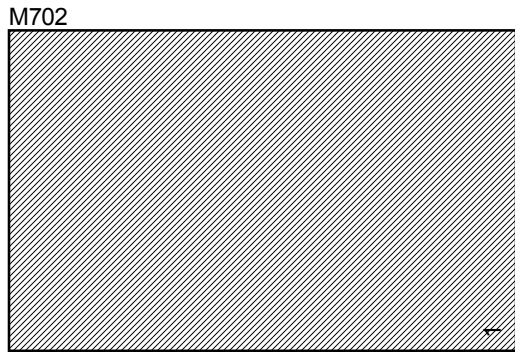
Title : Leonardo rev 5.0  
Rita DB RF

TI - Proprietary Information -

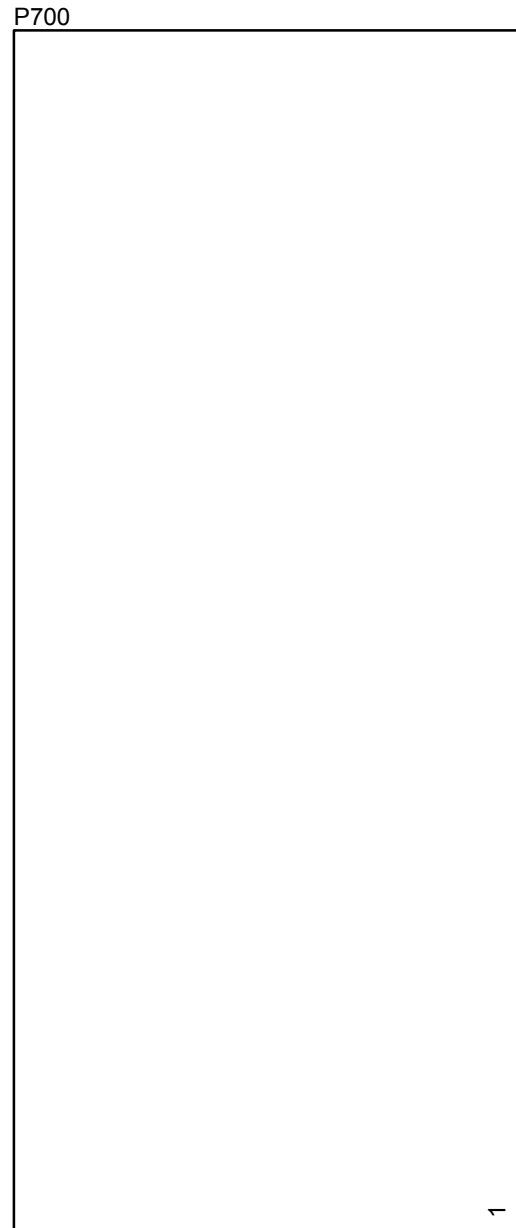
Size A2	Document Number	Modified by: CKS	Rev 5.0
Date: Monday, October 27, 2003	Sheet 4		of 5



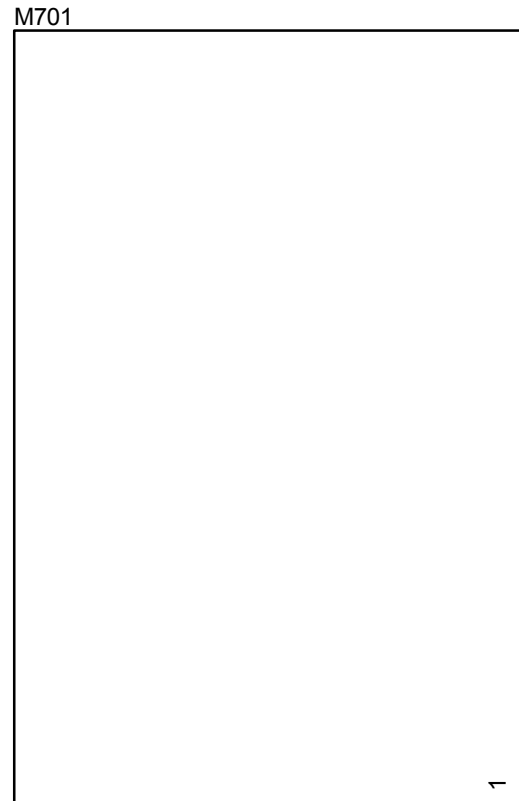
M700  
Leonardo\_RF\_frame  
6500.0043



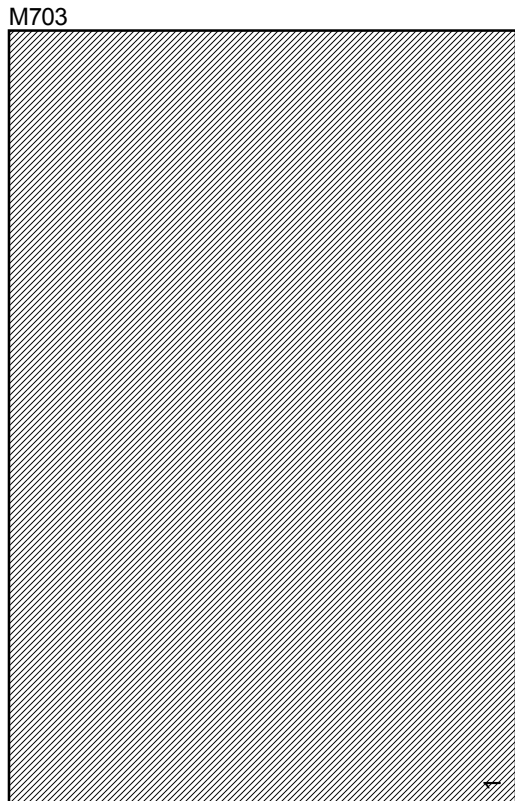
M702  
Leonardo\_RF\_shield  
6500.0045



P700  
Leonardo\_RF3133\_PCB\_rev4  
1800.0204



M701  
Leonardo\_BB\_frame  
6500.0042



M703  
Leonardo\_BB\_shield  
6500.0044

PRELIMINARY documents contain information on a product under development and is issued for evaluation purposes only. Features characteristic data and other information are subject to change.



**Texas Instruments A/S, Denmark**  
Sofiendalsvej 93  
DK-9200 Aalborg SV  
Denmark

*Under Non Disclosure Agreement*

*Do Not Copy*

Title : Leonardo Rev 5.0  
Miscellaneous

*TI - Proprietary Information -*

Size  
A4

Document Number  
-

Modified by:  
CKS

Rev  
5.0

Date: Monday, October 27, 2003

Sheet 5 of 5