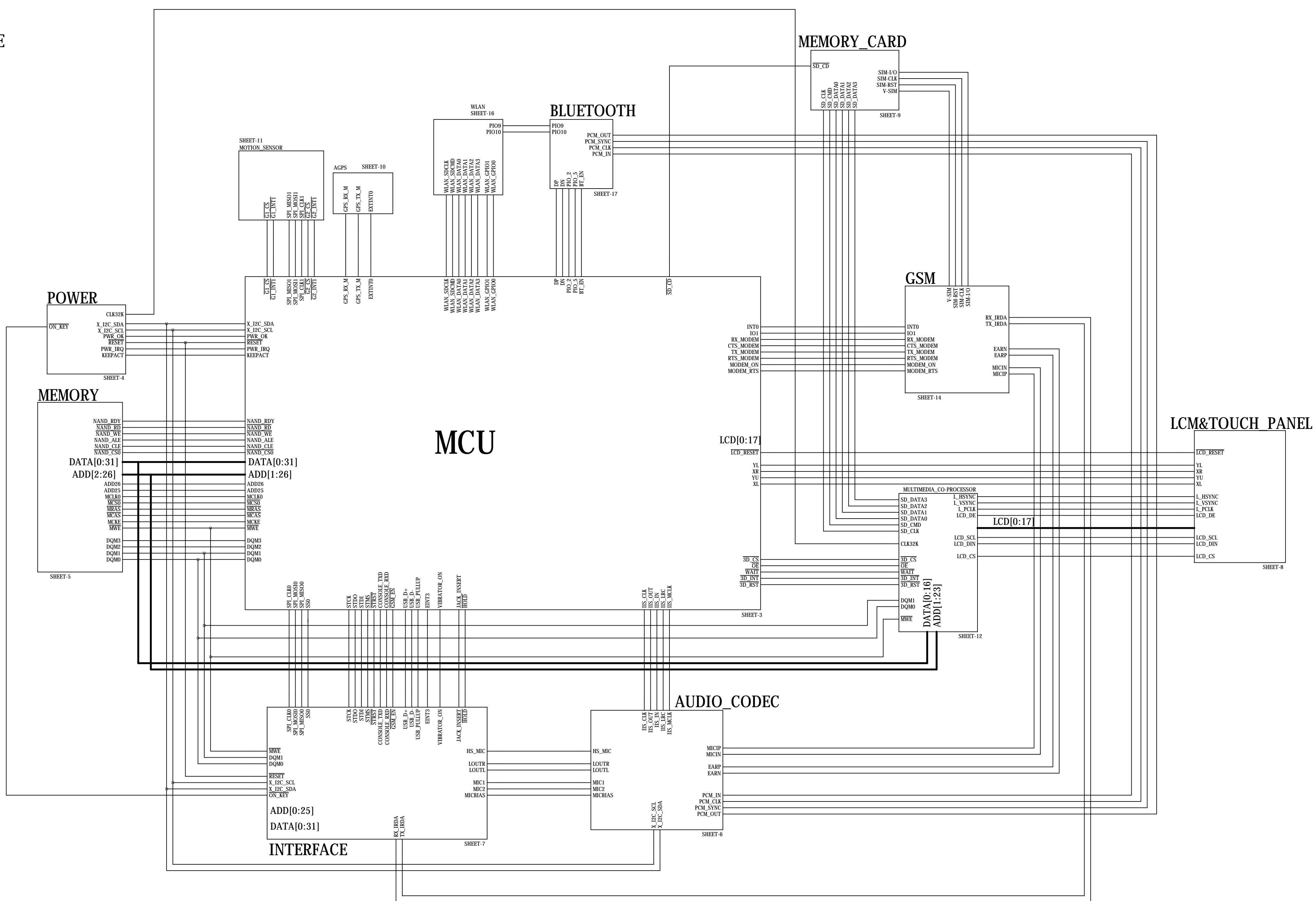


Openmoko, Inc GTA02-Neo Freerunner Schematics

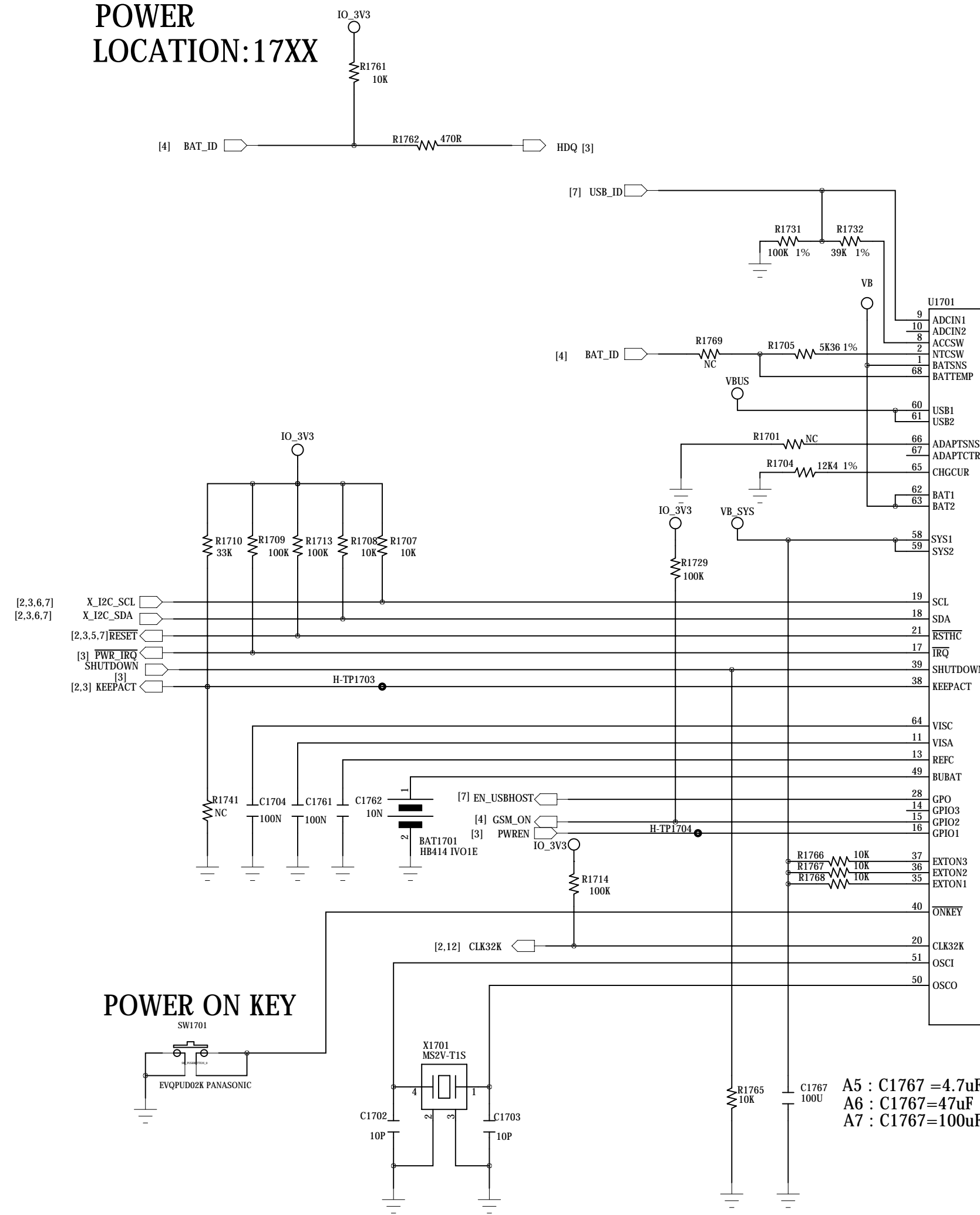
This work is licensed under the Creative Commons Attribution-ShareAlike 3.0 License.
To view a copy of this license, visit <http://creativecommons.org/licenses/by-sa/3.0/legalcode>;
or, send a letter to Creative Commons, 172 2nd Street, Suite 300, San Francisco, California, 94105, USA.

Version	Date	Signed off / Comment
A7RC0	2008-08-04	jOERG (NAK) / prerelease based GTA02A7 cumulative A5-A7

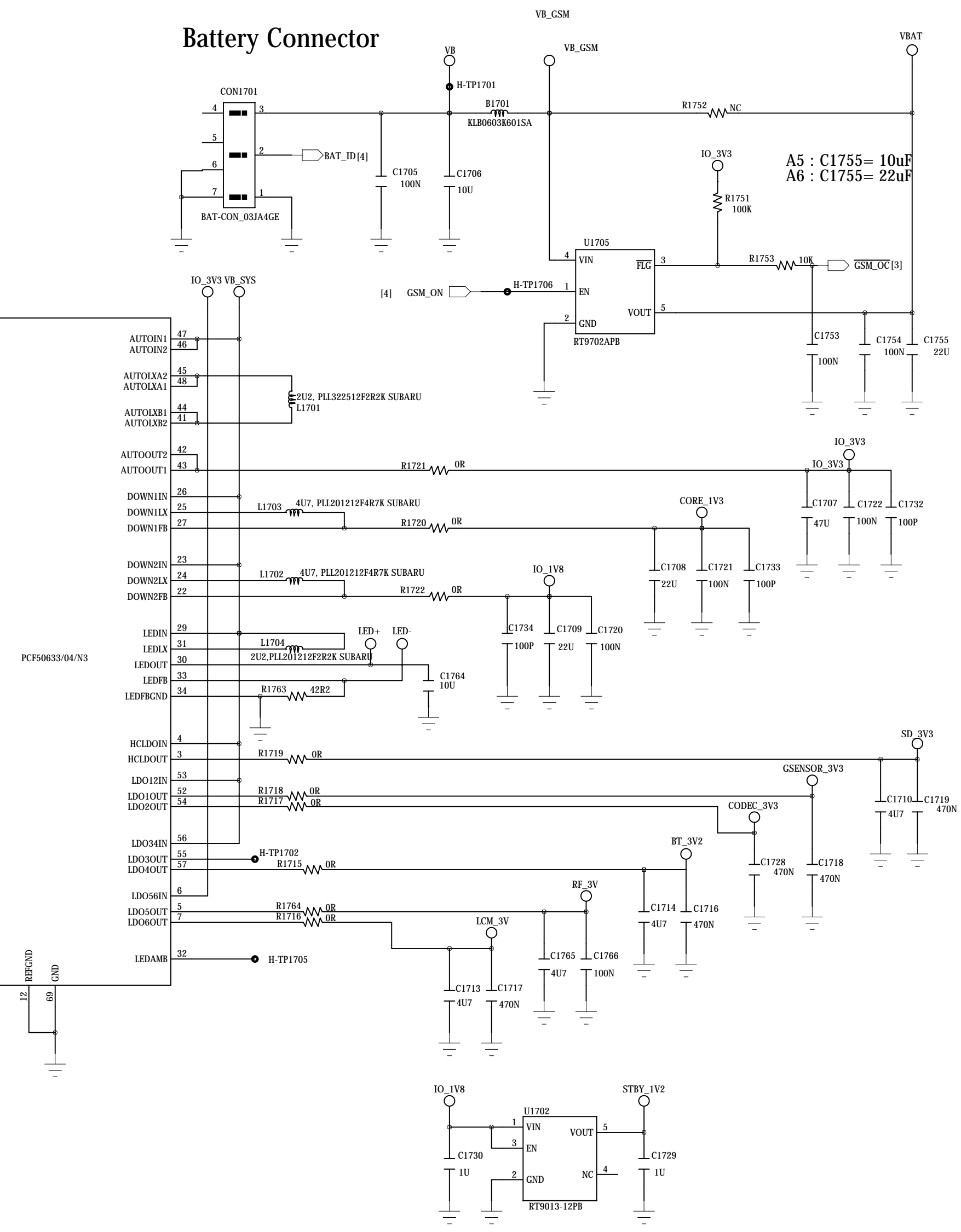
STRUCTURE



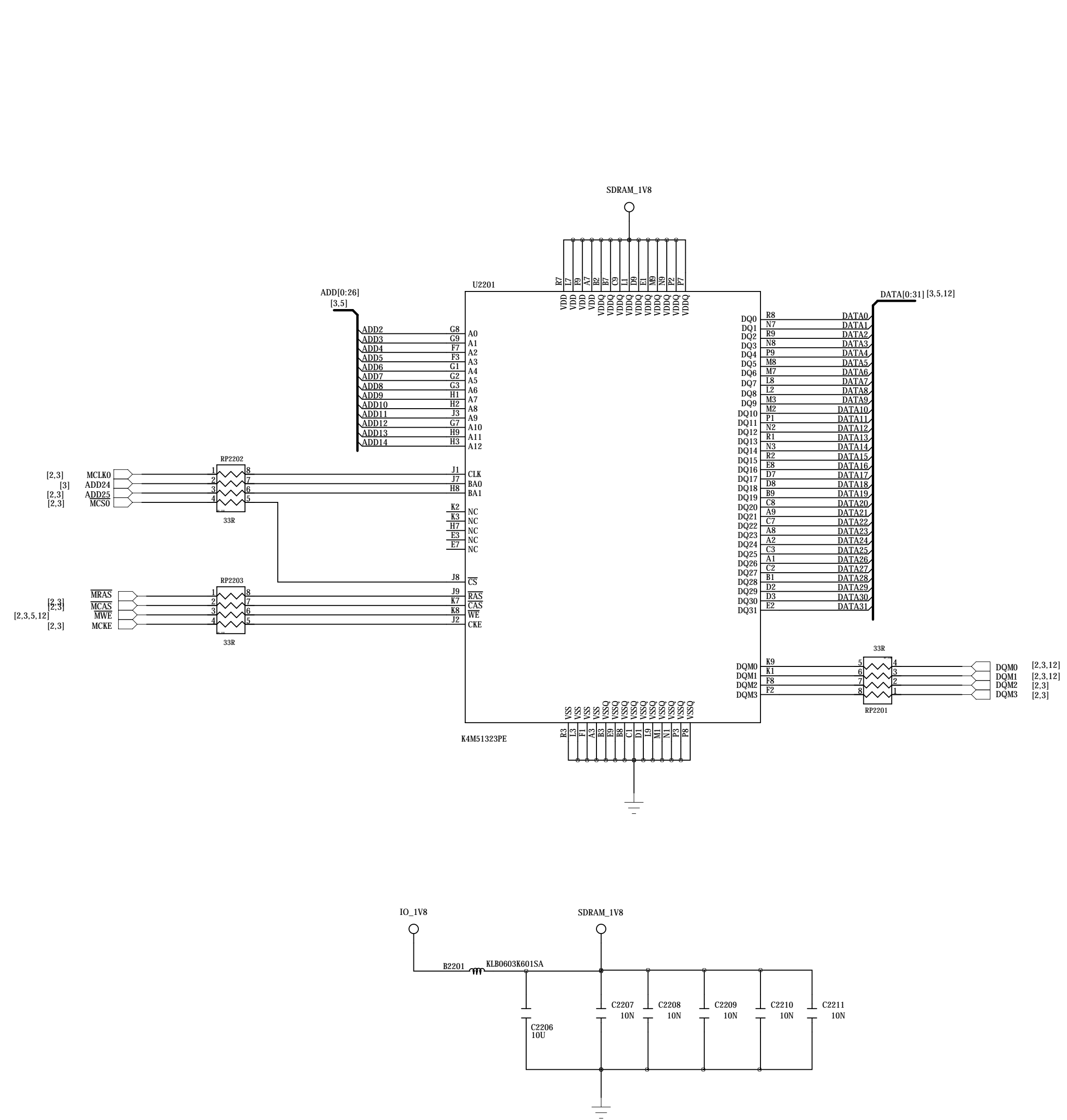
POWER LOCATION: 17XX



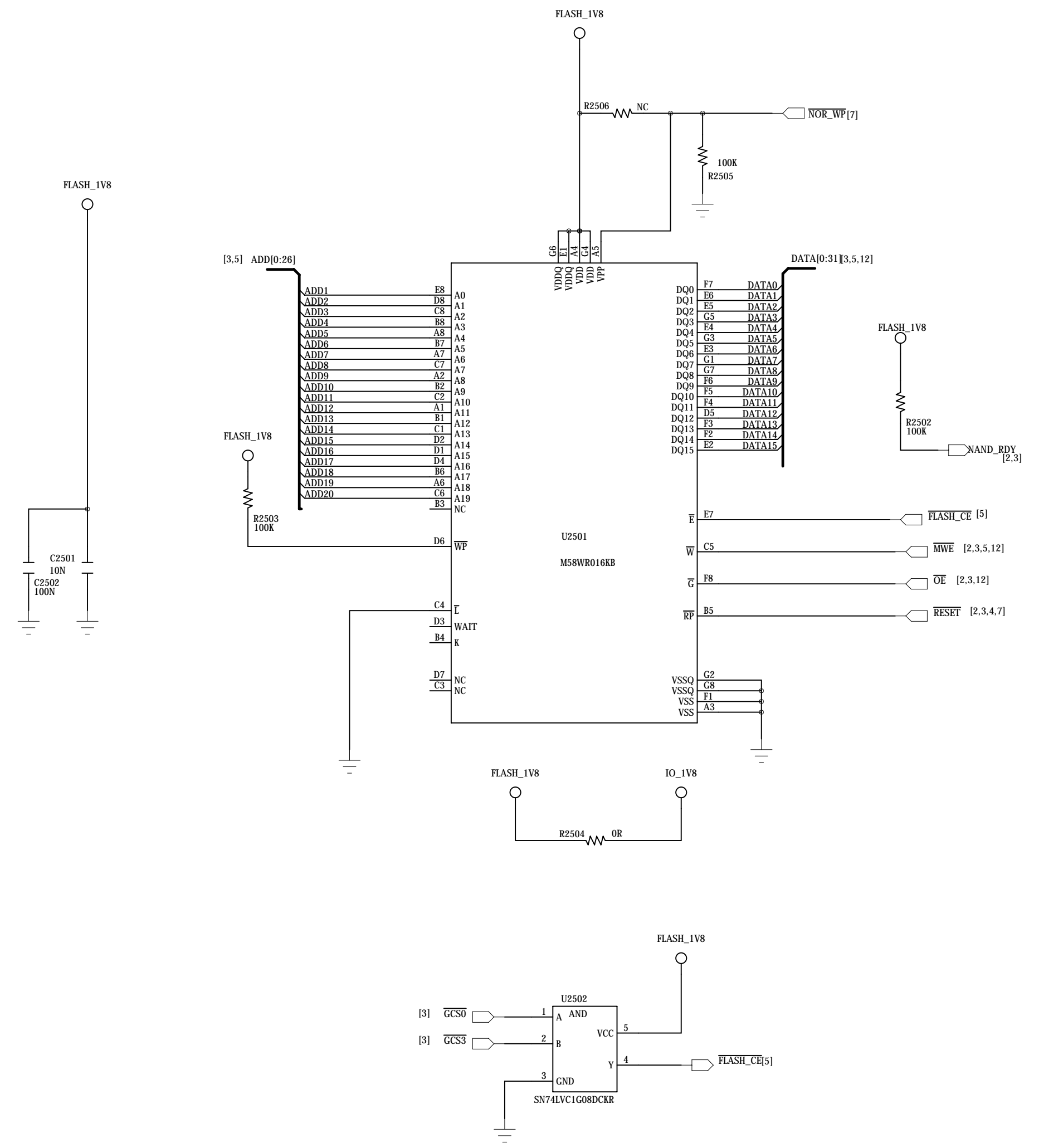
Battery Connector

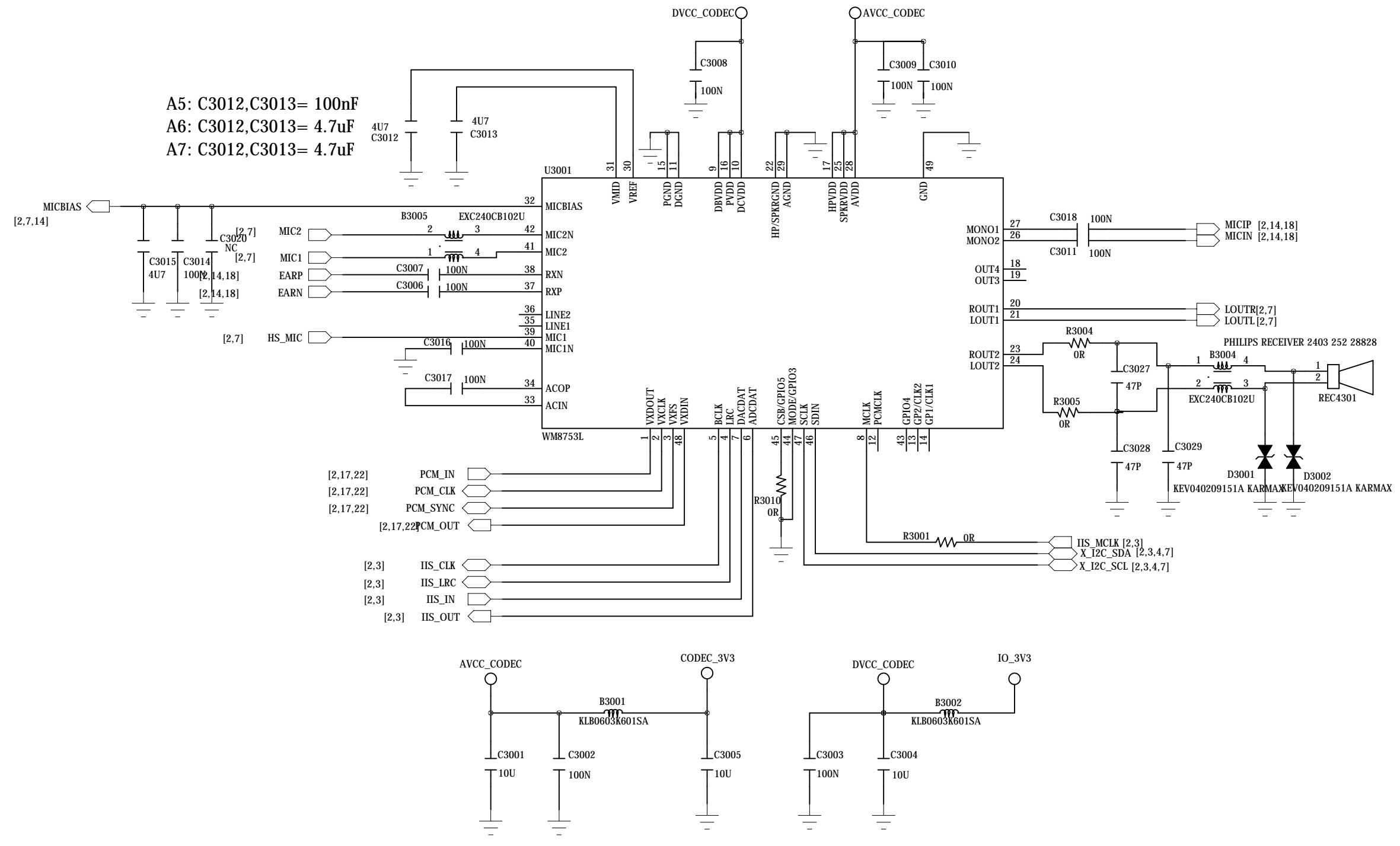


SDRAM
LOCATION: 22XX

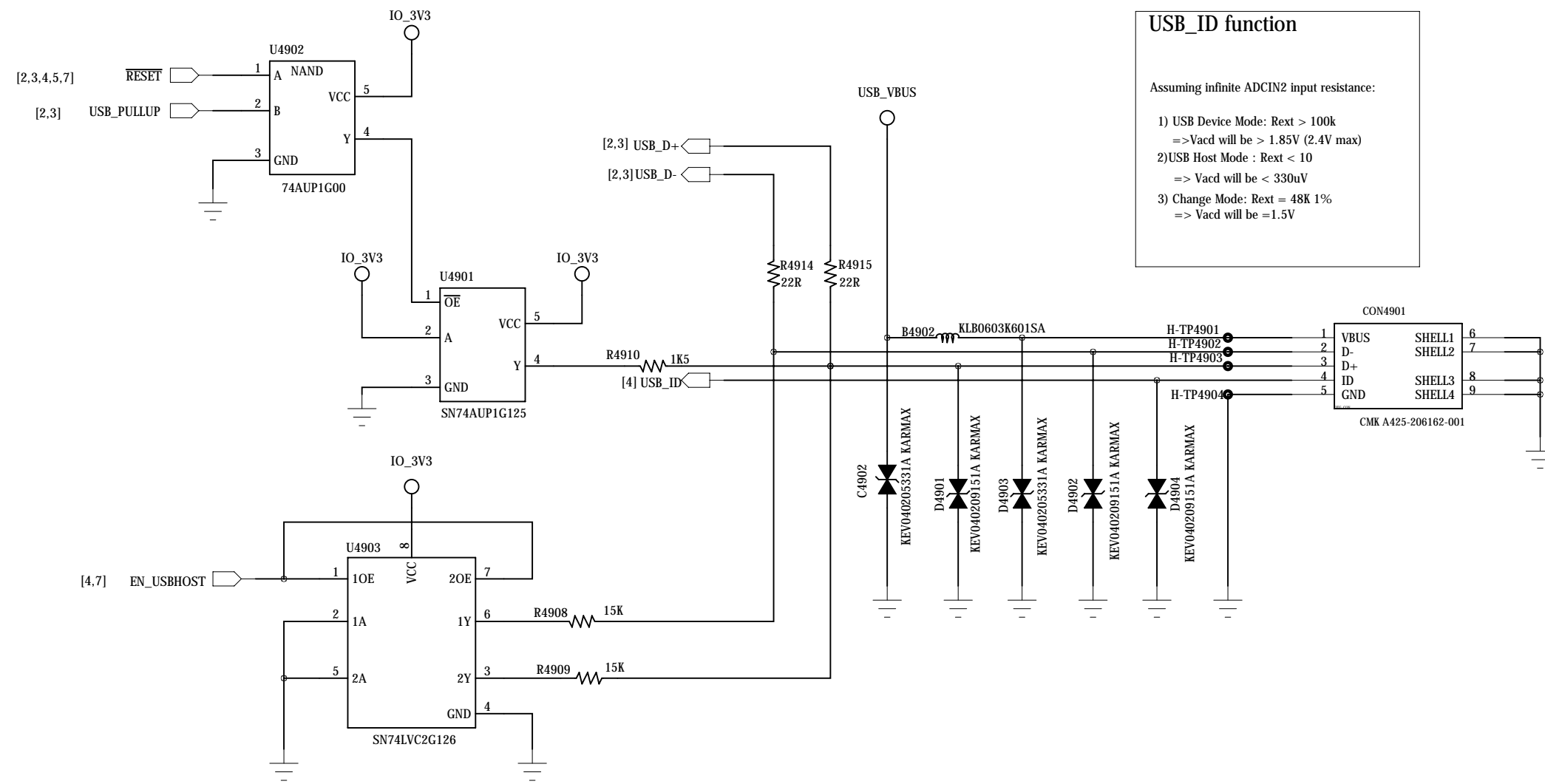


NOR FLASH
LOCATION: 25XX

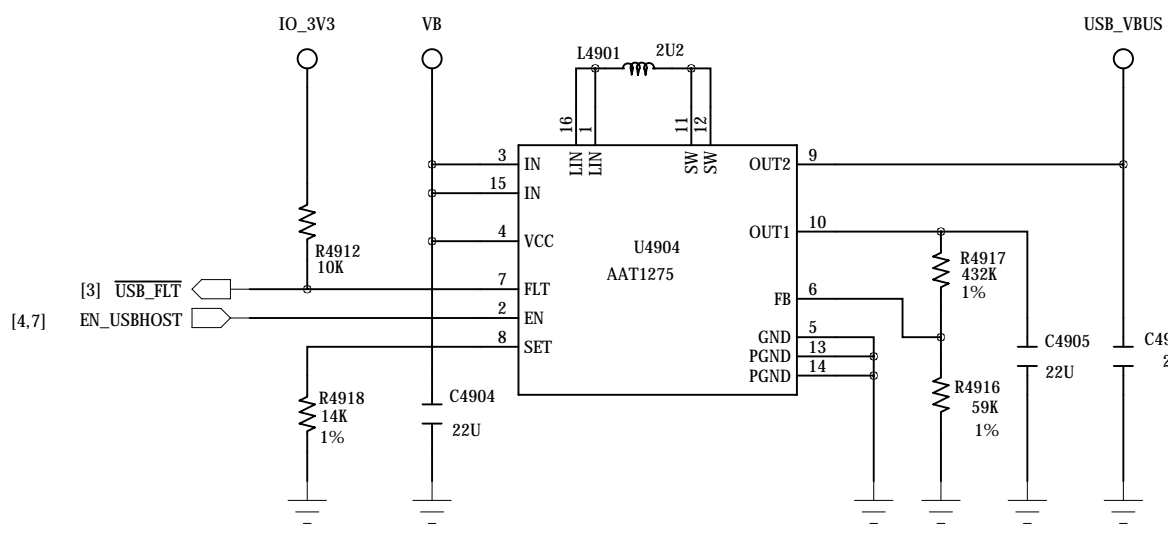




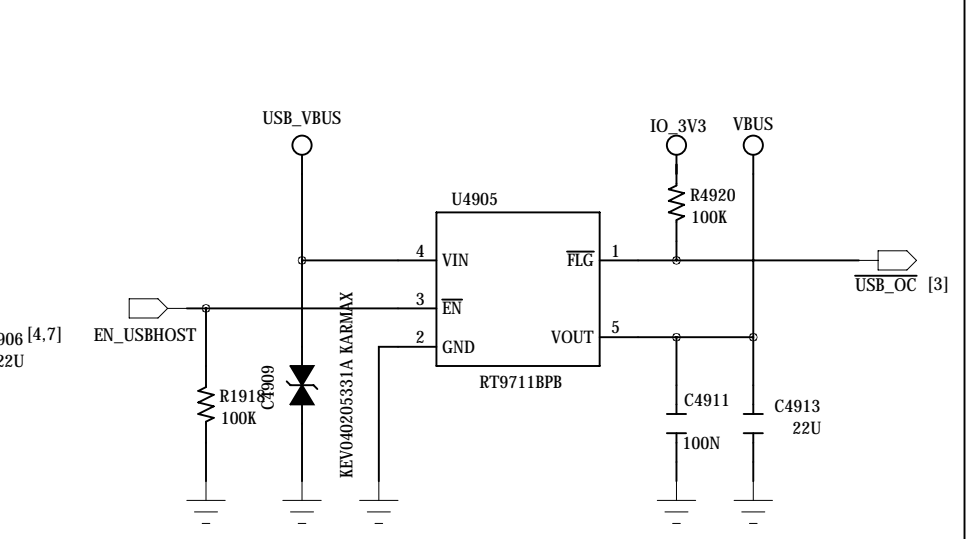
USB LOCATION: 49XX



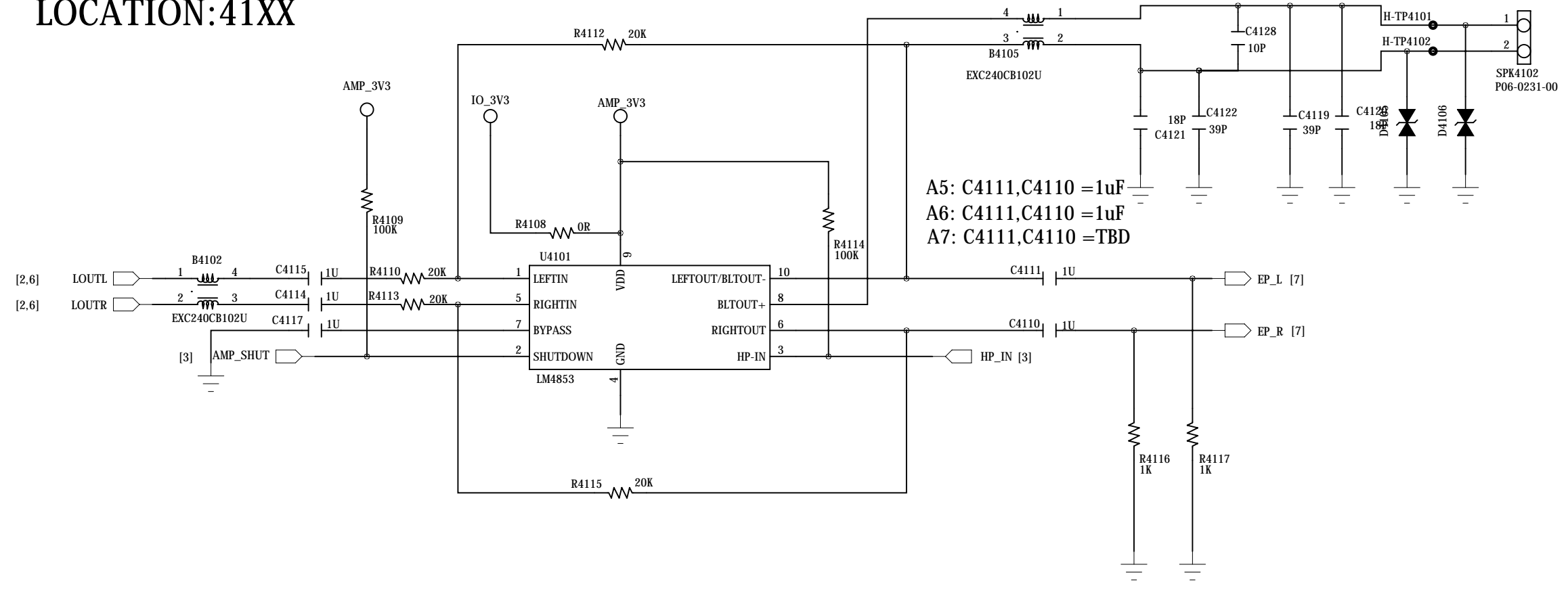
Host mode Power



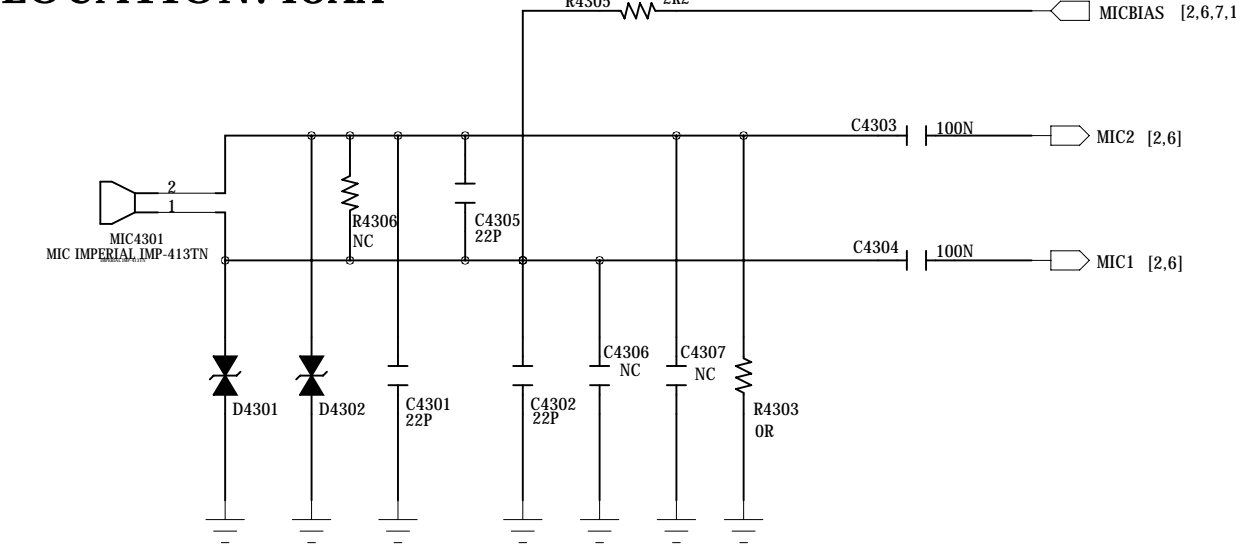
Charge Path



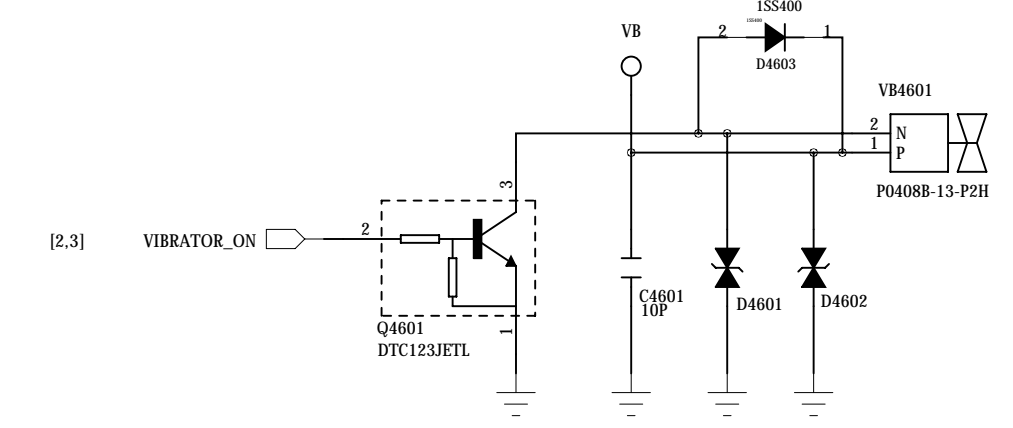
SPK LOCATION: 41XX



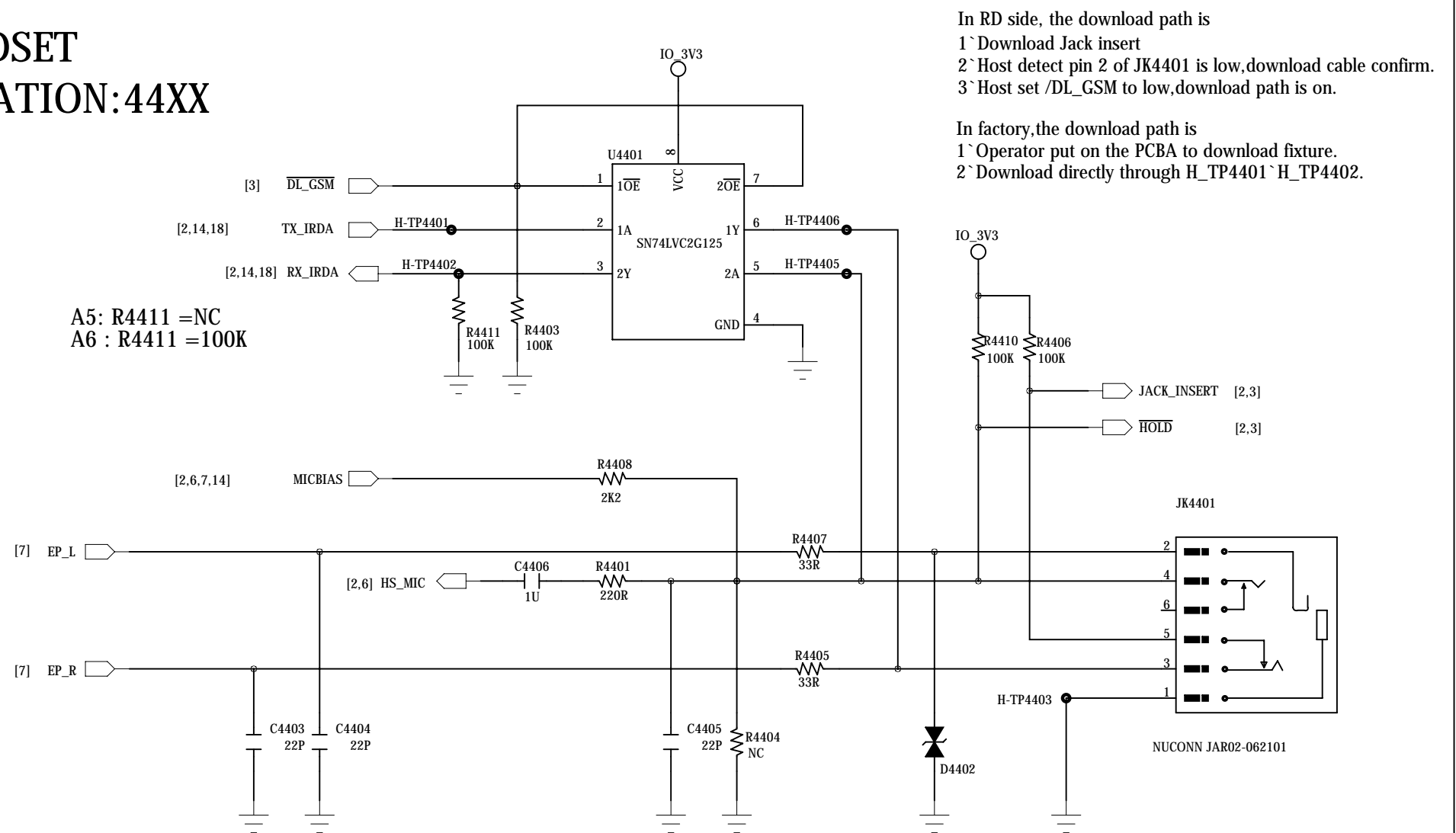
MIC LOCATION: 43XX



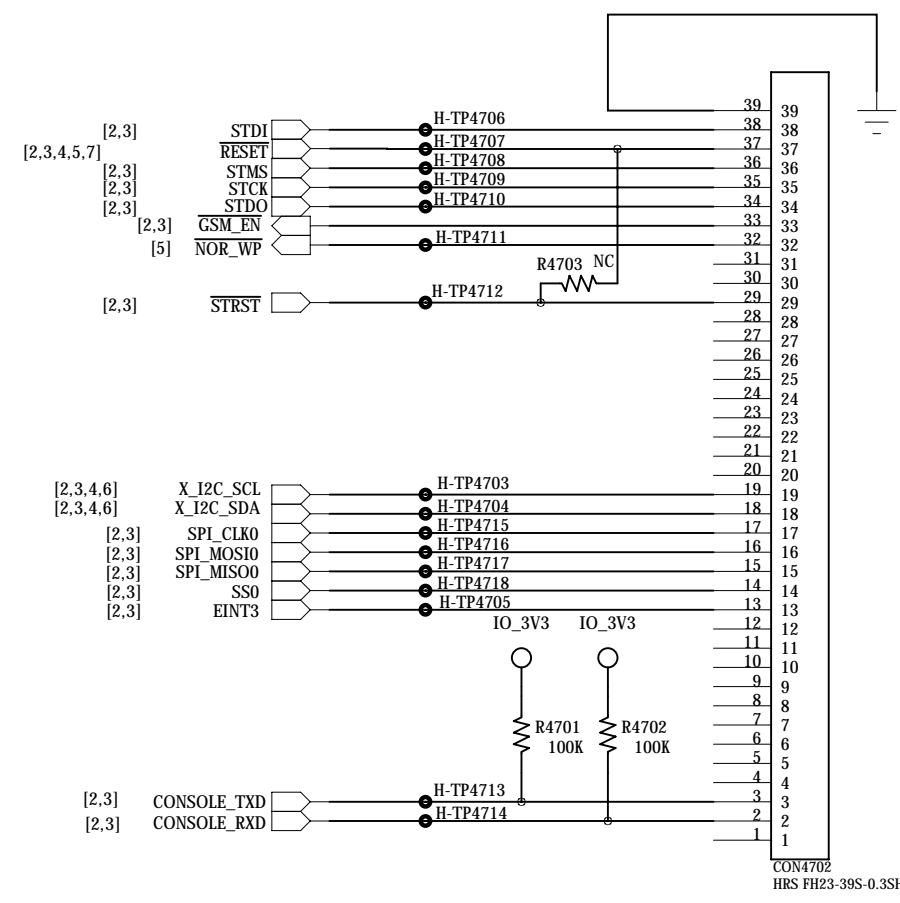
VIBRATOR LOCATION: 46XX



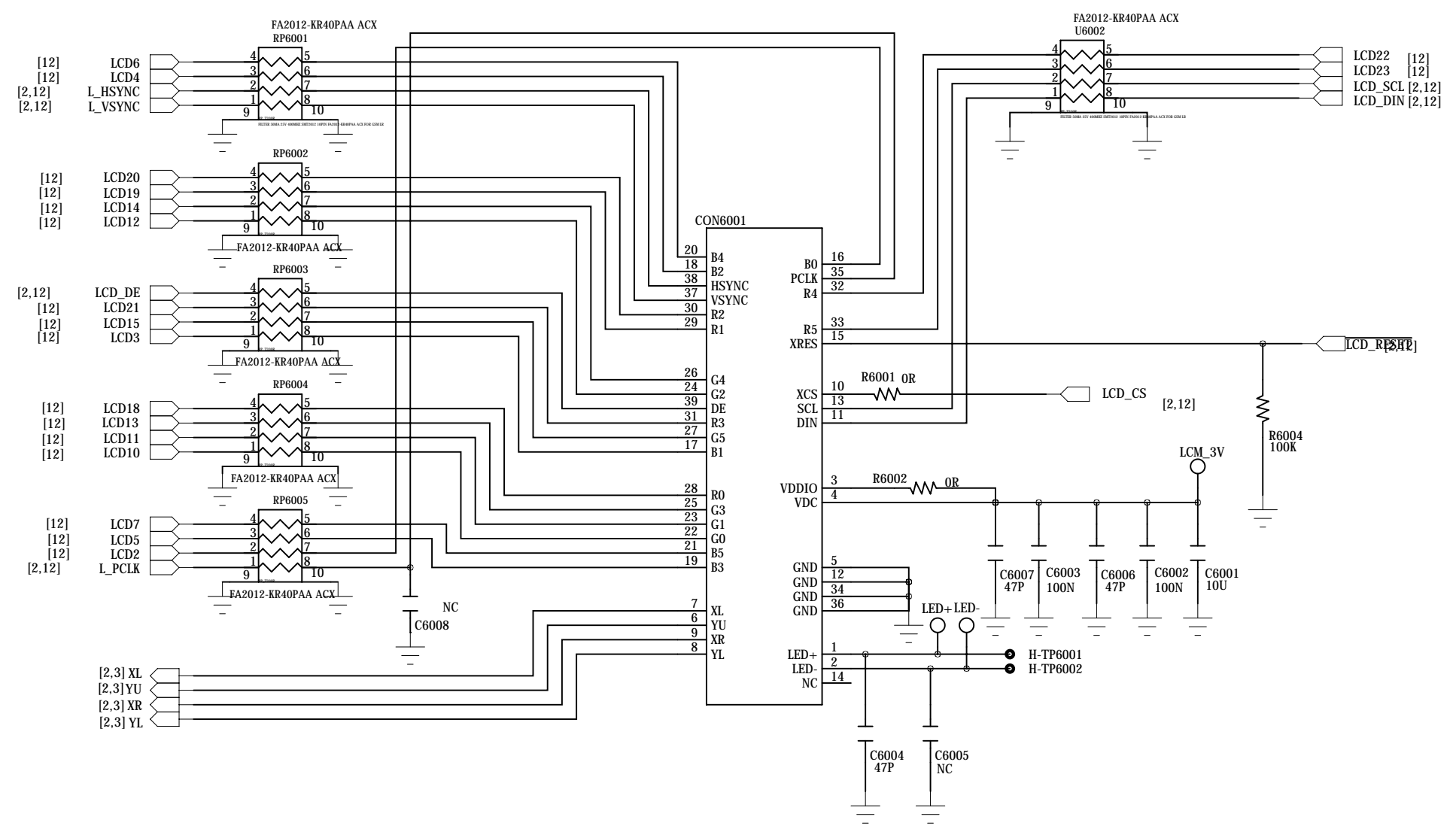
HEADSET LOCATION: 44XX



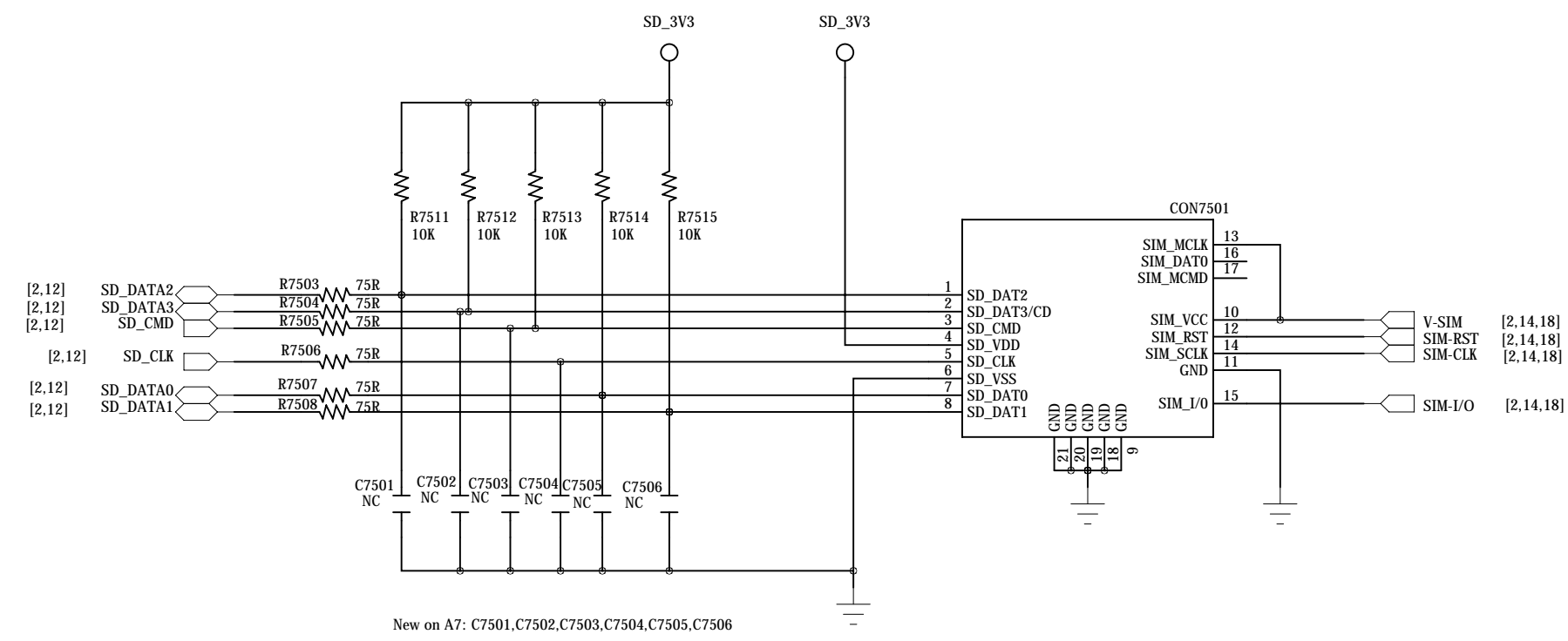
DEBUG LOCATION: 47XX



LCM_TOUCH_PANEL
LOCATION:6XXX

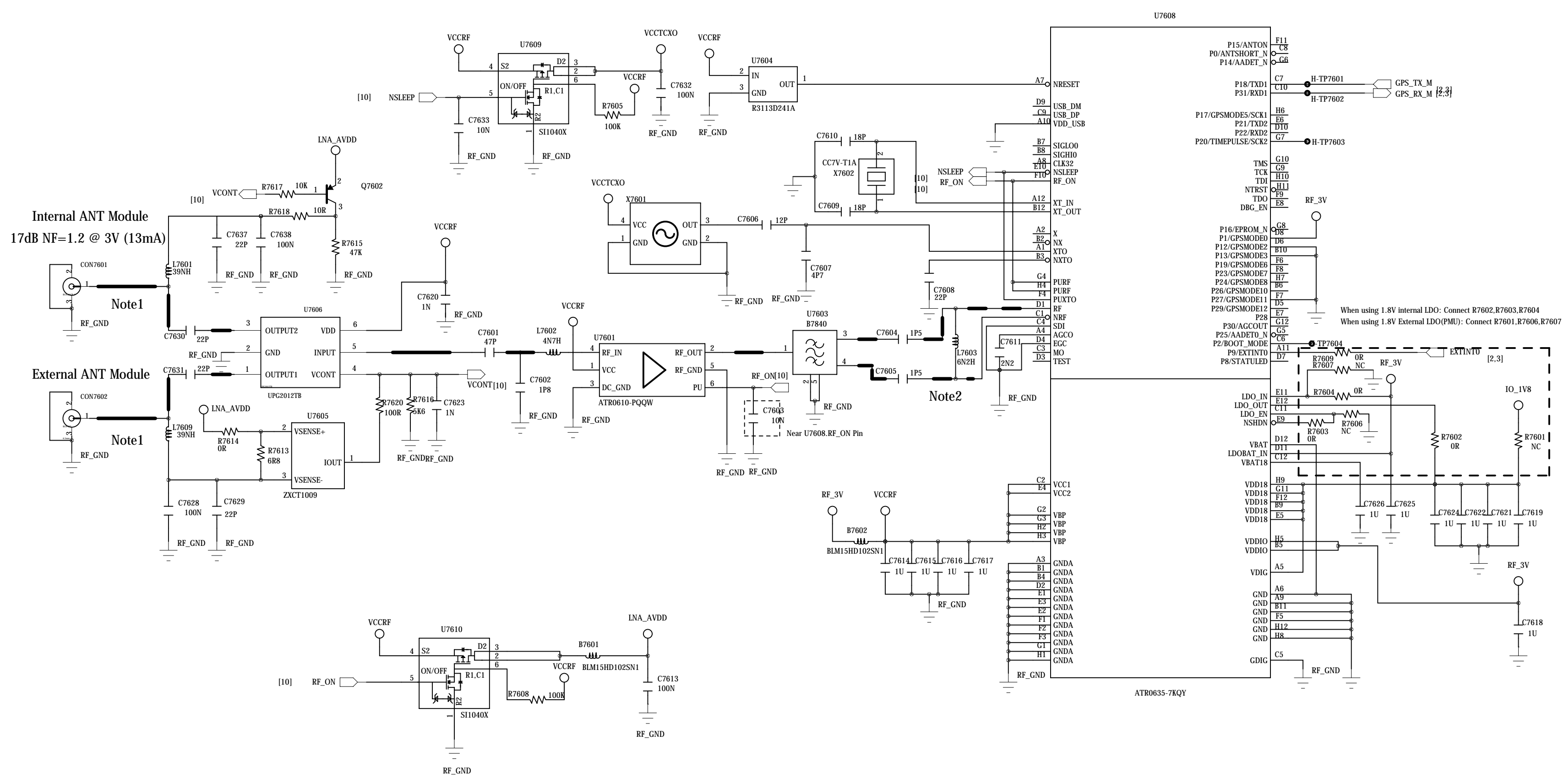


MEMORY_CARD
LOCATION:75XX



ublox_ANTARIS 4_ATR0635&ATR0610
LOCATION:76XX

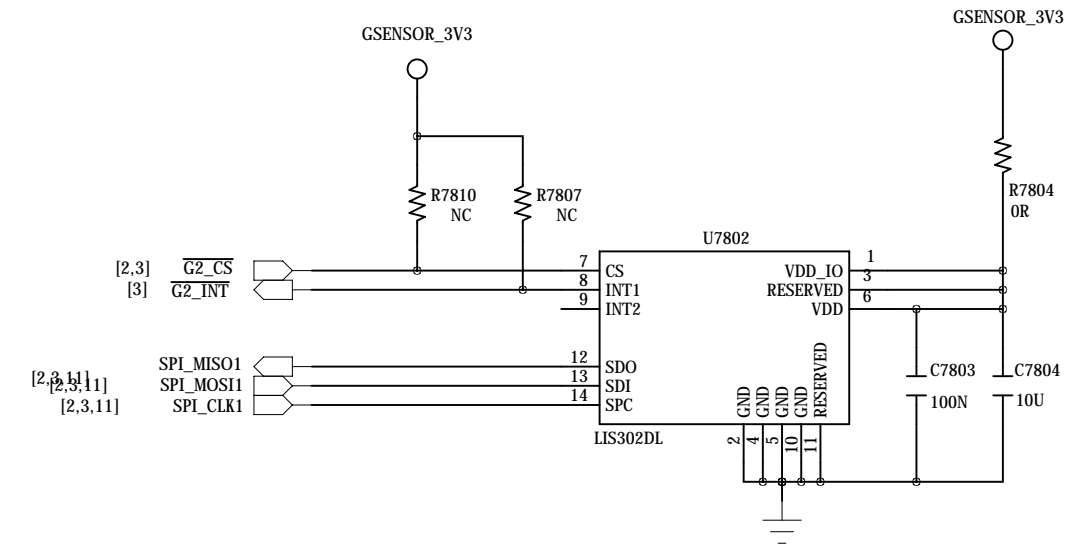
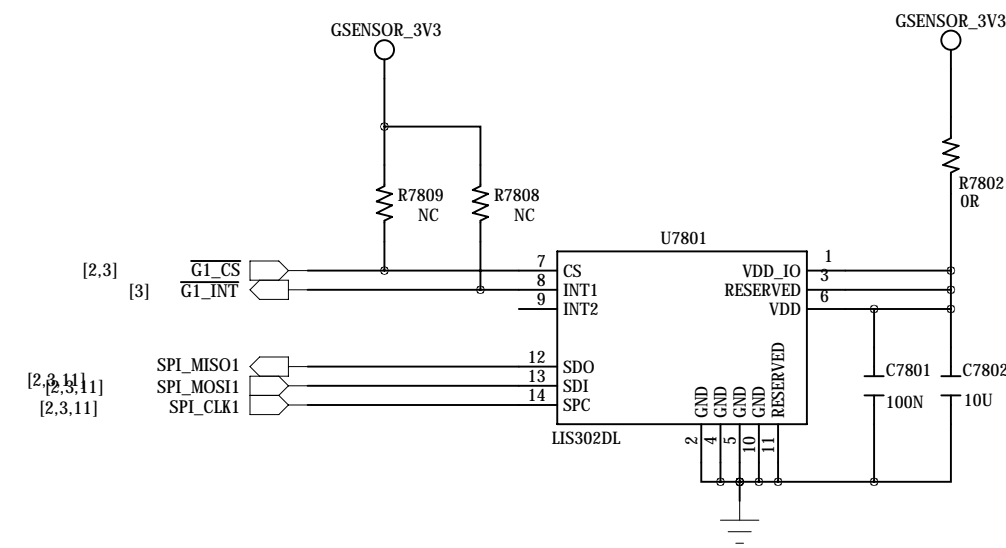
Many thanks to u-blox AG, Switzerland, for encouraging and supporting Openmoko to publish the complete schematics of the GPS part.



Note1: These traces are RF transmission line and the characteristic impedance is 50 ohm.
Note2: Differential RF traces and the balanced impedance is 100 ohm

MOTION_SENSOR
LOCATION:78XX

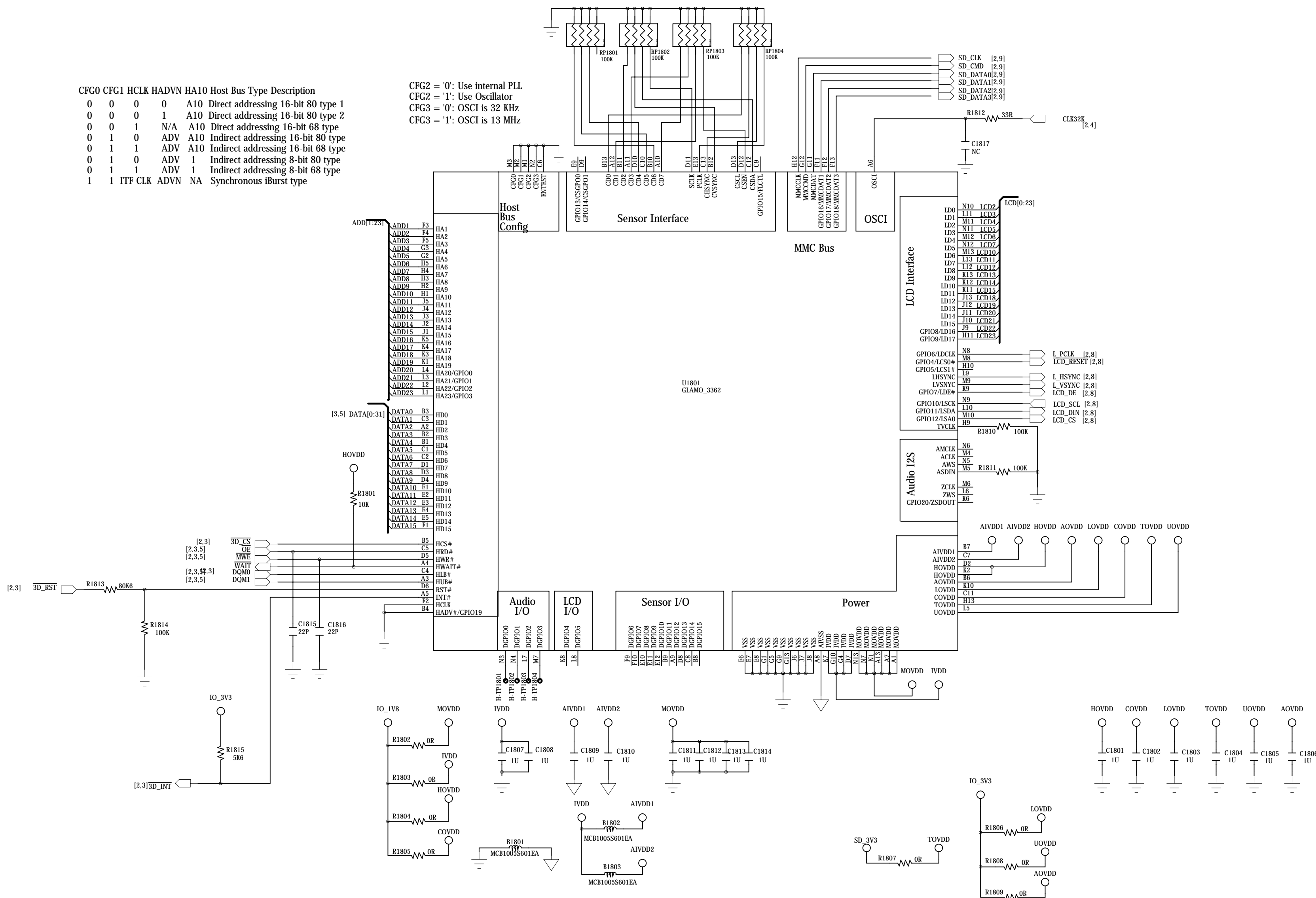
A5 : R7809,R7808,R7810,R7807 =100K
A6 : R7809,R7808,R7810,R7807 =NC

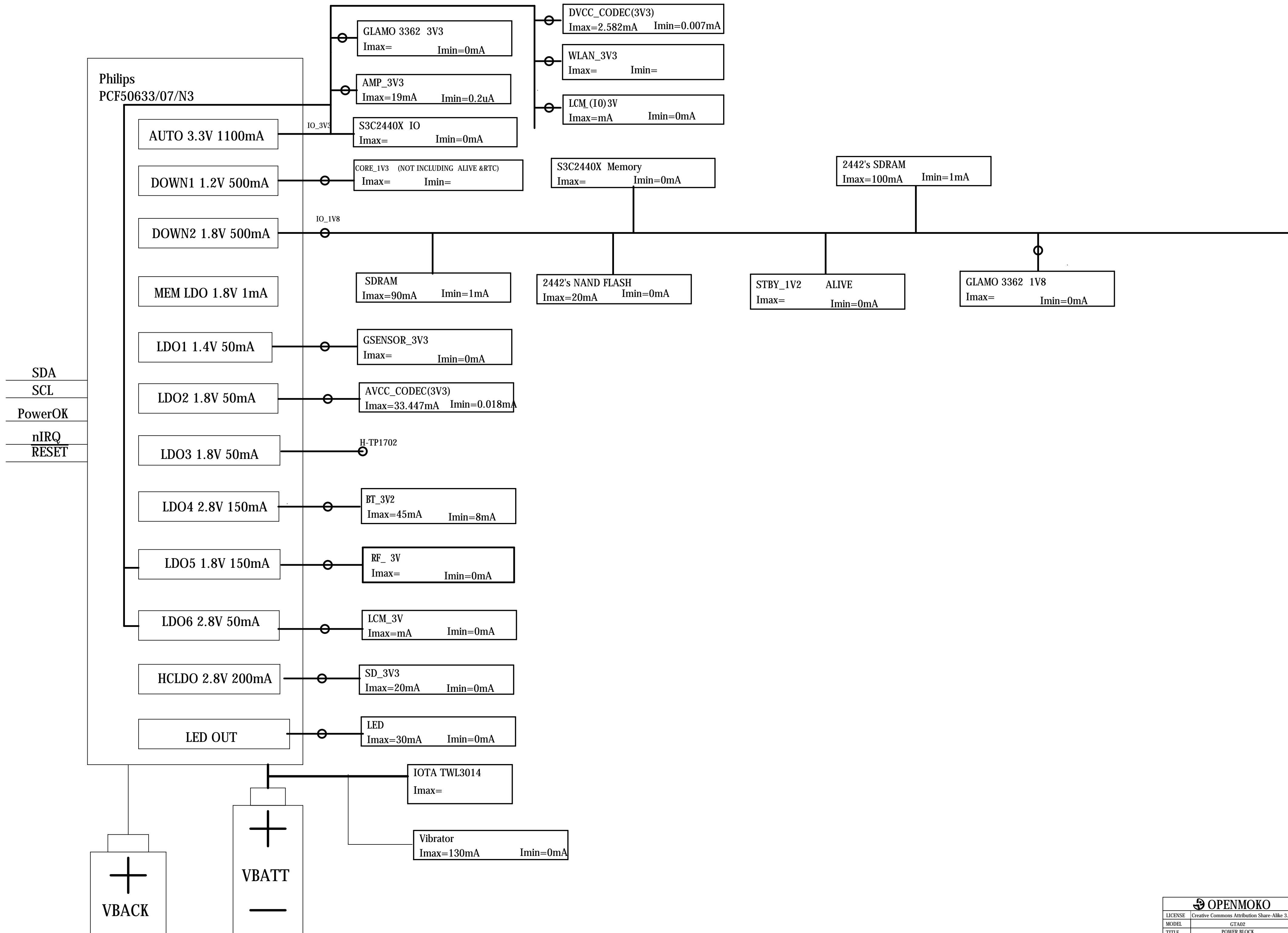


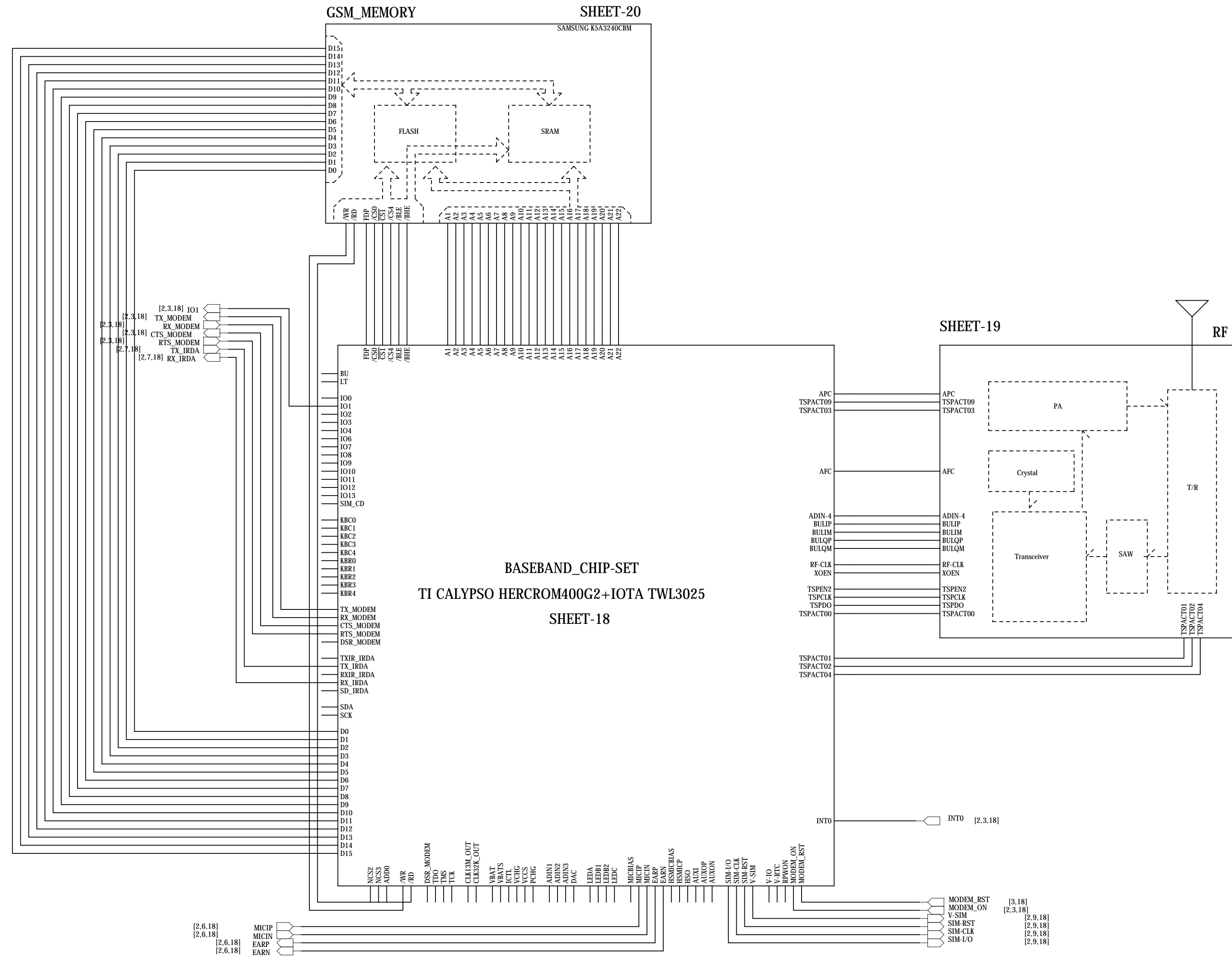
MULTIMEDIA_CO-PROCESSOR
LOCATION:18XX

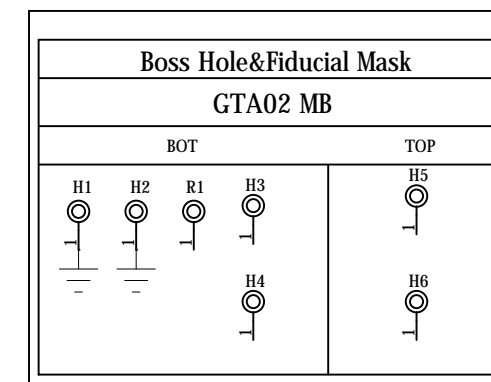
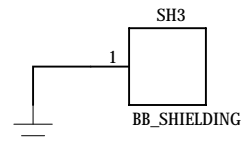
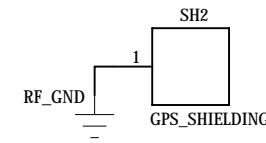
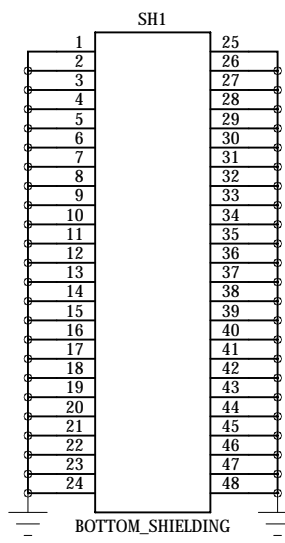
CFG0	CFG1	HCLK	HADVN	HA10	Host Bus Type	Description
0	0	0	0	A10	Direct addressing 16-bit 80 type 1	
0	0	0	1	A10	Direct addressing 16-bit 80 type 2	
0	0	1	N/A	A10	Direct addressing 16-bit 68 type	
0	1	0	ADV	A10	Indirect addressing 16-bit 80 type	
0	1	1	ADV	A10	Indirect addressing 16-bit 68 type	
0	1	0	ADV	1	Indirect addressing 8-bit 80 type	
0	1	1	ADV	1	Indirect addressing 8-bit 68 type	
1	1	ITF CLK	ADV	NA	Synchronous iBurst type	

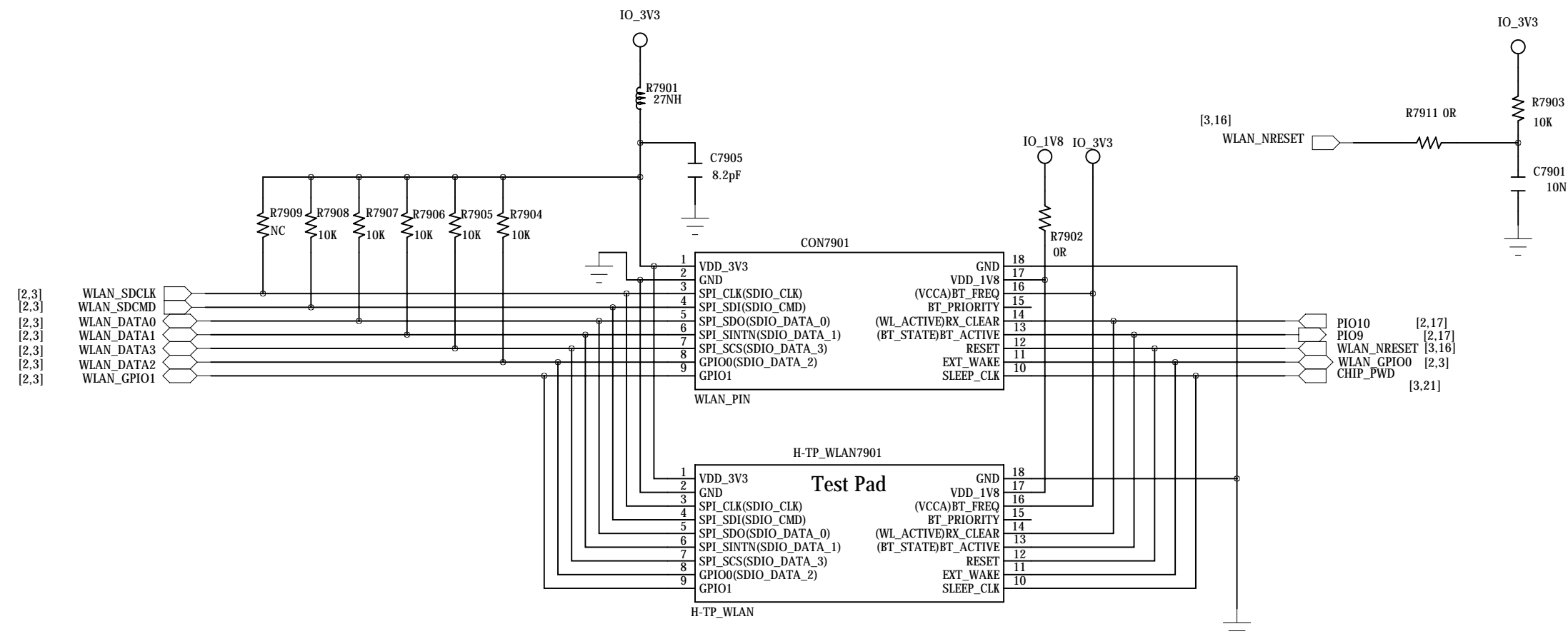
CFG2 = '0': Use internal PLL
CFG2 = '1': Use Oscillator
CFG3 = '0': OSCI is 32 KHz
CFG3 = '1': OSCI is 13 MHz







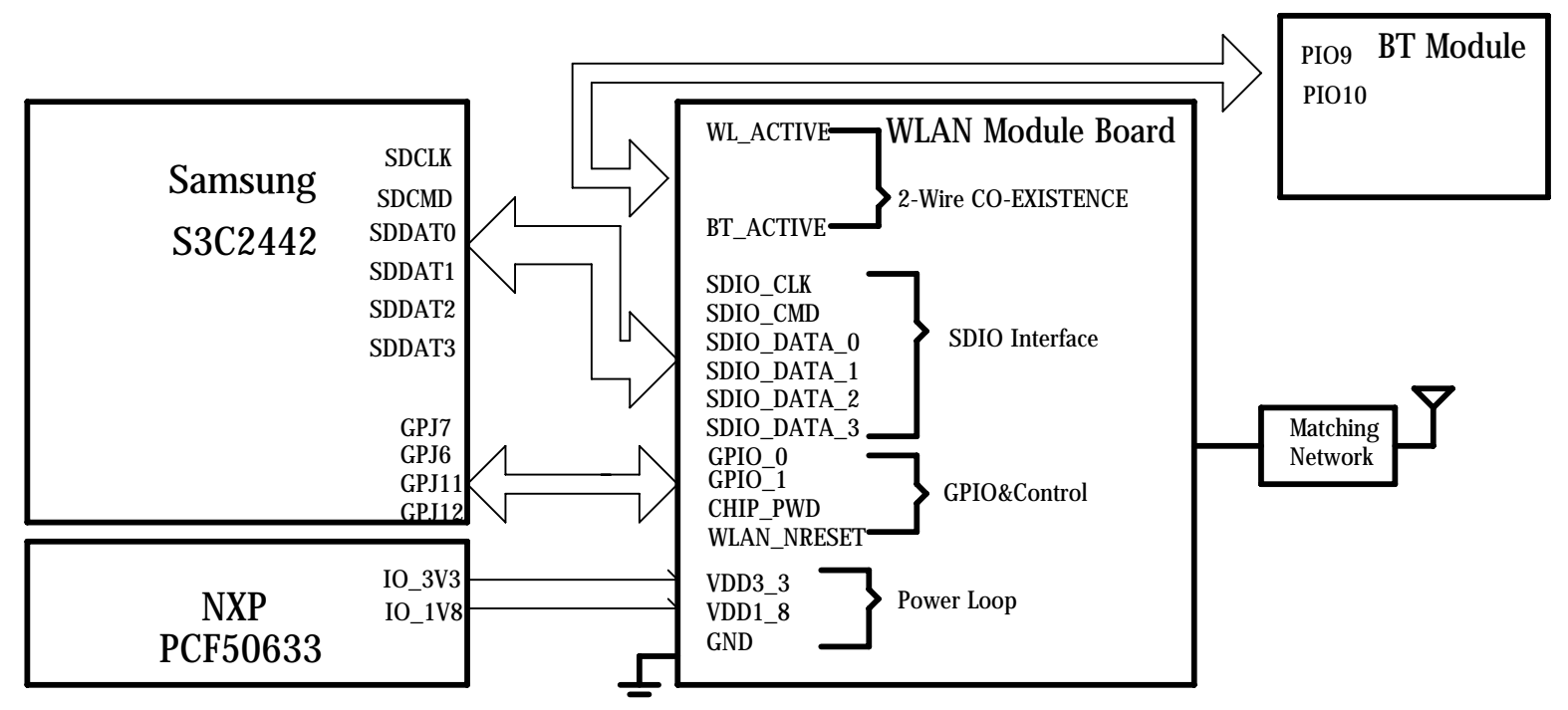


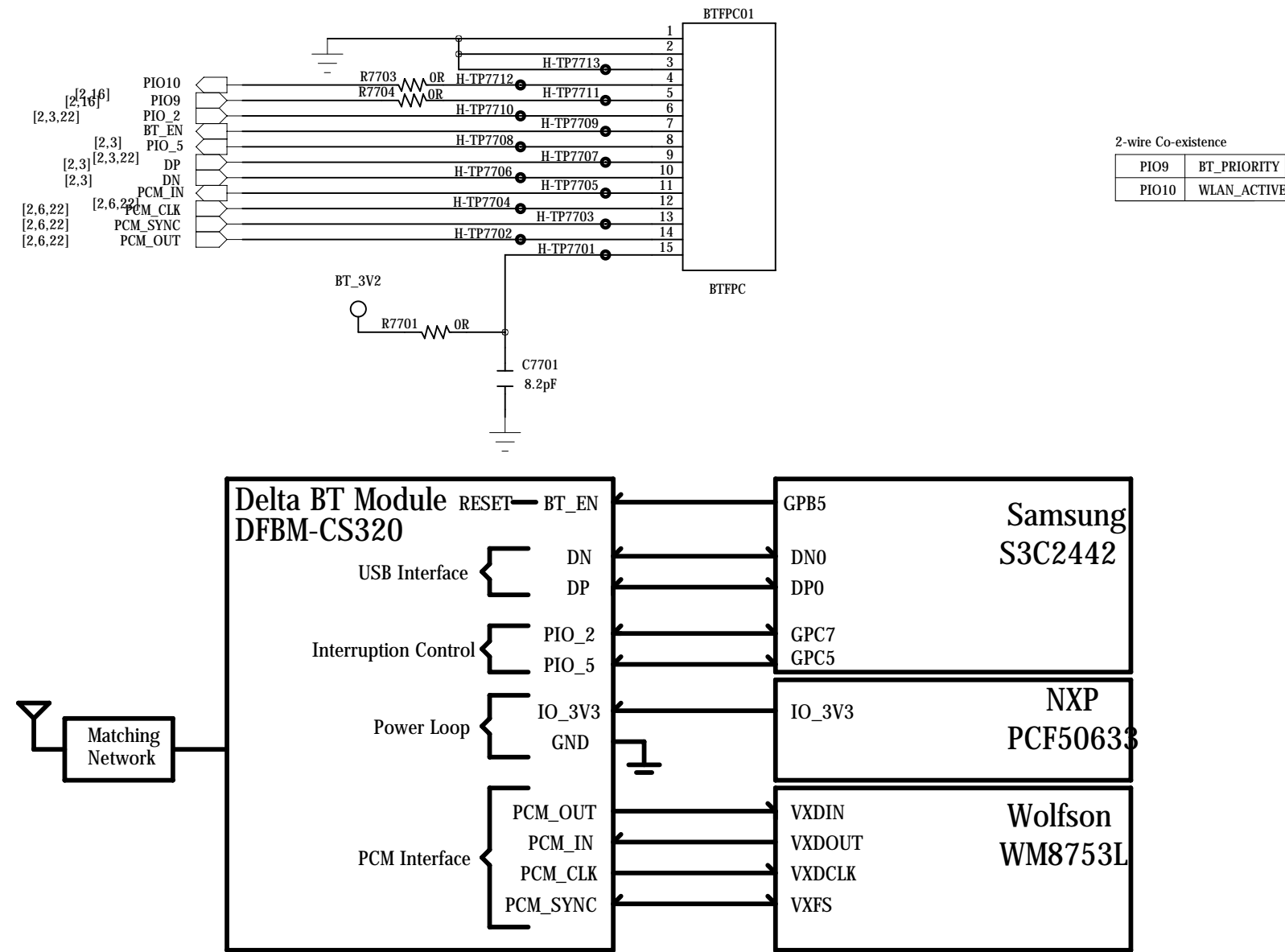


Module	DFWM-MHG21	DFWM-AHG11	SWL-2480	SWL-2700S
	DELTA		SAMSUNG	
	Marvell 88W8686	Atheros AR6001GZ	Marvell 88W8686	Atheros AR6001GZ
1	○	○	○	○
2	○	○	○	○
3	○	○	○	○
4	○▲	○▲	○▲	○▲
5	○▲	○▲	○▲	○▲
6	○▲	○▲	○▲	○▲
7	○▲	○▲	○▲	○▲
8	○▲	○▲	○▲	○▲
9				
10	■		■	
11	■		■	
12	■		■	
13	⊗	⊗	⊗	⊗
14	⊗	⊗	⊗	⊗
15	⊗	⊗	⊗	⊗
16	⊗	⊗	⊗	⊗
17	⊗	⊗	⊗	⊗
18	⊗	⊗	⊗	⊗

*3-wire co-existence supported only use CS324 BT module

- : Power Loop
- : SPI Interface
- ▲: SDIO Interface
- : Interruption Control
- ⊗: 3-wire Co-existence if BT supports
- ⊗: 4-wire Co-existence if BT supports





WLAN_Daughter Board
LOCATION:78XX

